



Installation instructions, accessories

Volvo Car Corporation Gothenburg, Sweden

Instruction No	Version	Part. No.
31408455	1.2	31399352

Parking assistance, pilot (R-design)



Installation instructions, accessories

Volvo Car Corporation Gothenburg, Sweden

Special tools

	<p>999 7234 Hole stamp</p> <p>Tool number:999 7234</p> <p>Tool description:Hole stamp</p> <p>Tool boards:80</p>
	<p>951 2950 Glue gun (kit)</p> <p>Tool number:951 2950</p> <p>Tool description:Glue gun (kit)</p> <p>Tool boards:08</p>
	<p>951 2932 Tension spring</p> <p>Tool number:951 2932</p> <p>Tool description:Tension spring</p> <p>Tool boards:80</p>

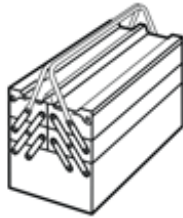
Materials

Designation	Part number
Isopropanol	1161721
Sand paper P1000	
Volvo Original Touch-up paint	
Varnish 2-component	31335447
Primer	1161765
Mixing pipe	1161730
Glue	9511027
Electrical tape	

Equipment

VIDA

IMG-242205

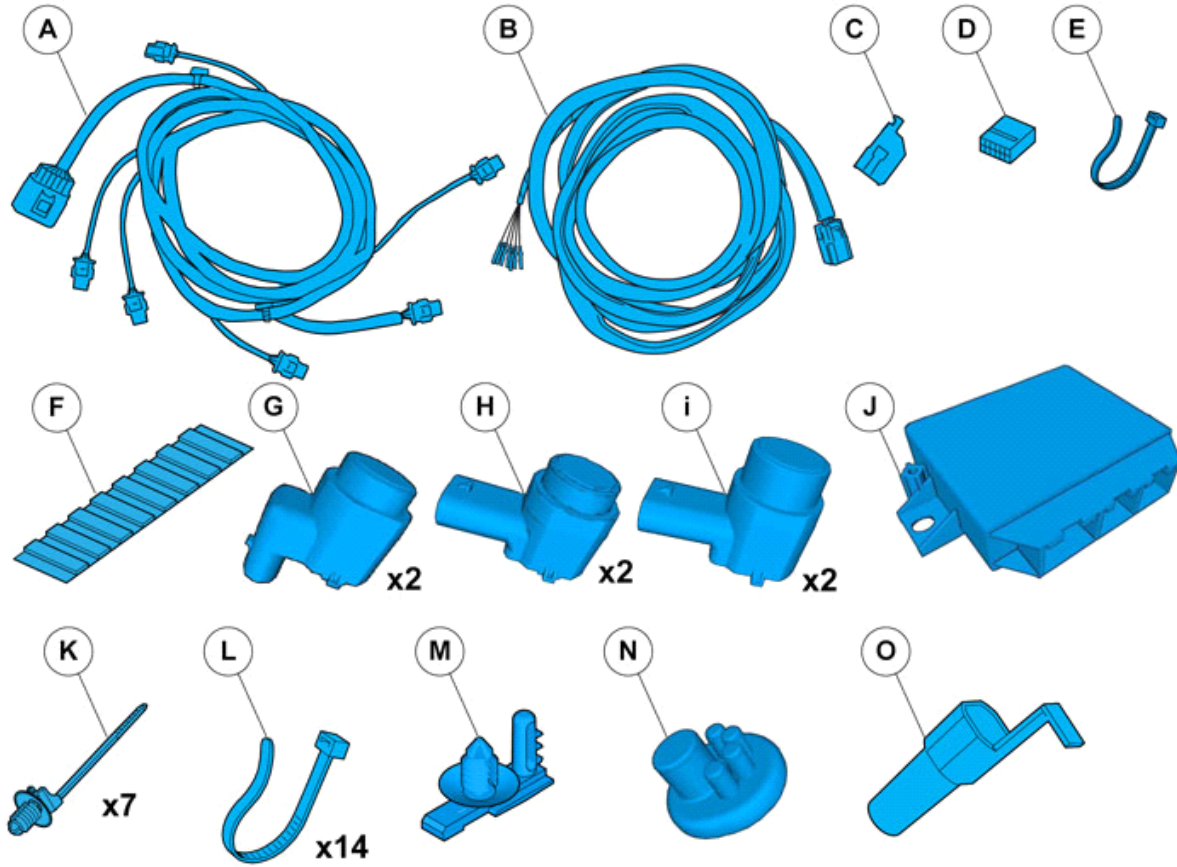


A0000162



Installation instructions, accessories

Volvo Car Corporation Gothenburg, Sweden

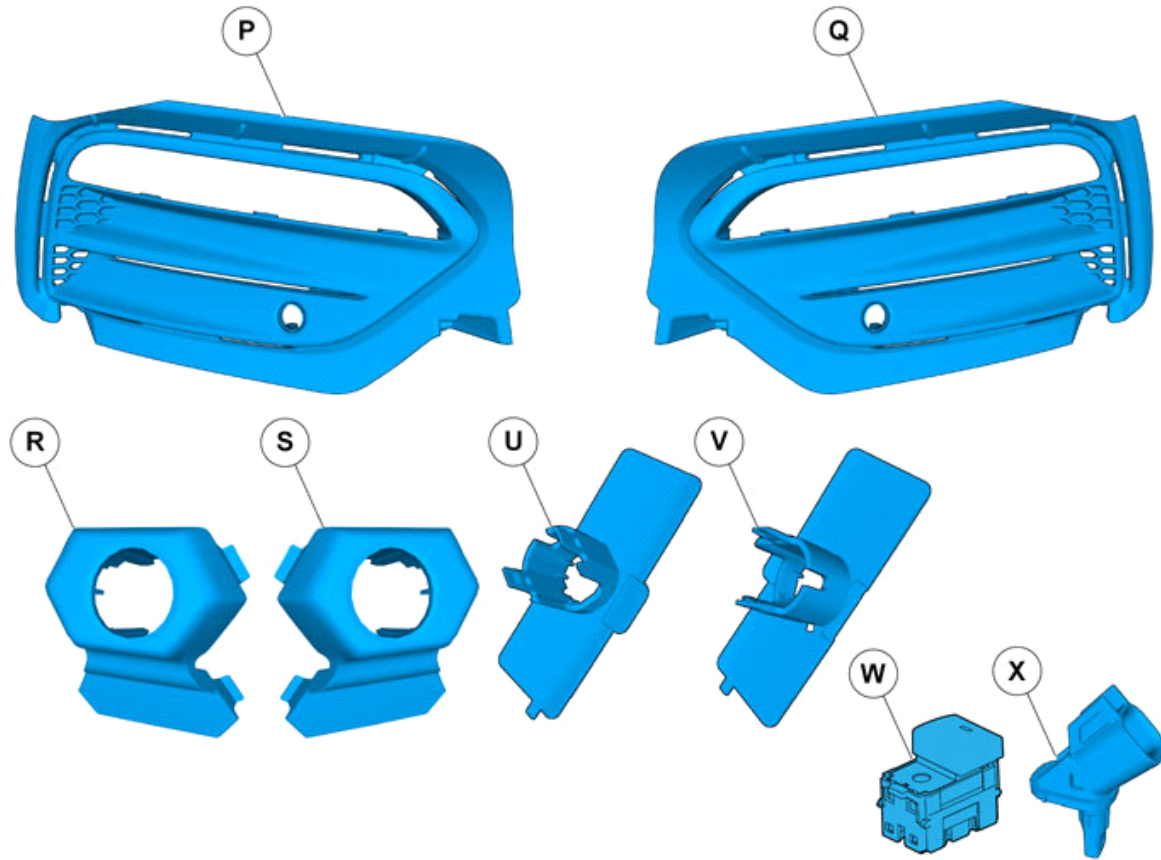


IMG-380113



Installation instructions, accessories

Volvo Car Corporation Gothenburg, Sweden



IMG-380567



Installation instructions, accessories

Volvo Car Corporation Gothenburg, Sweden

36656-2

Parking assistance, front, R-design

Information

1

Read through all of the instructions before starting installation.

Notifications and warning texts are for your safety and to minimise the risk of something breaking during installation.

Ensure that all tools stated in the instructions are available before starting installation.

Certain steps in the instructions are only presented in the form of images. Explanatory text is also given for more complicated steps.

In the event of any problems with the instructions or the accessory, contact your local Volvo dealer.

Further information

2

These installation instructions show installation on left hand drive cars.

When installing on right-hand drive cars, perform the procedures on the opposite side and/or mirrored.

Where the procedure differs, the right-hand version is also shown with text and image.

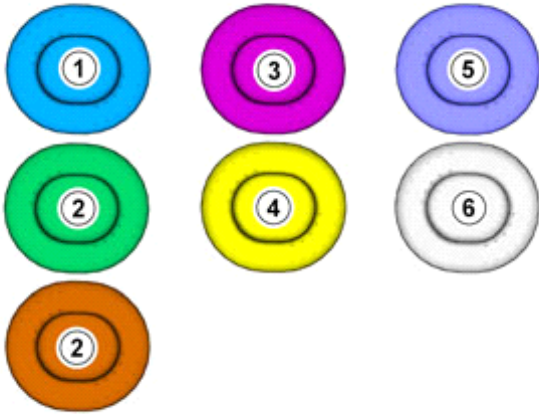
Color symbols



Installation instructions, accessories

Volvo Car Corporation Gothenburg, Sweden

3



IMG-363036

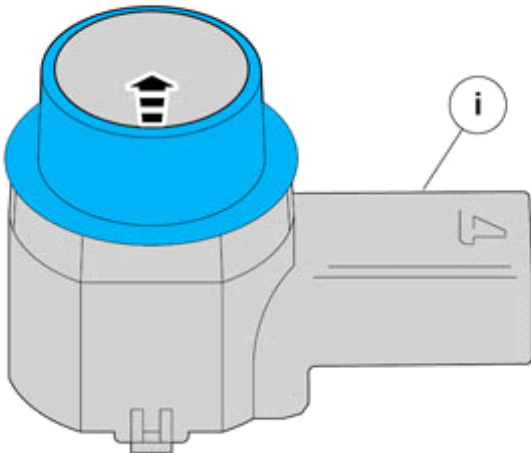
Note!

This colour chart displays (in colour print and electronic version) the importance of the different colours used in the images of the method steps.

- Used for focused component, the component with which you will do something.
- Used as extra colors when you need to show or differentiate additional parts.
- Used for attachments that are to be removed/installed. May be screws, clips, connectors, etc.
- Used when the component is not fully removed from the vehicle but only hung to the side.
- Used for standard tools and special tools.
- Used as background color for vehicle components.

Paintwork

4



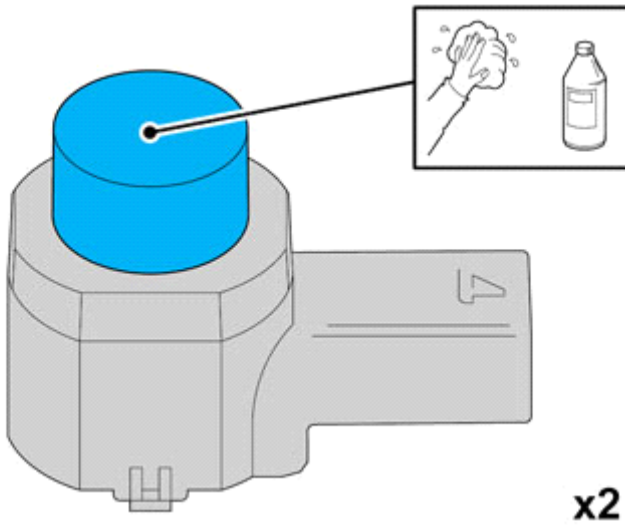
IMG-380122



Installation instructions, accessories

Volvo Car Corporation Gothenburg, Sweden

5



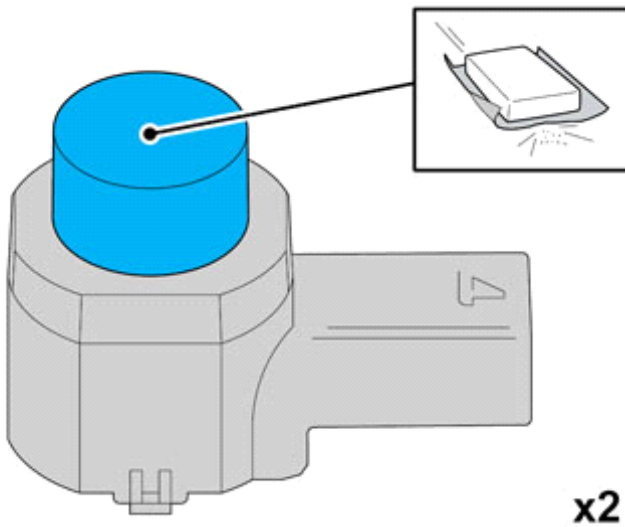
IMG-380123

Clean the surface.

Use: 1161721, Isopropanol

Allow to dry.

6

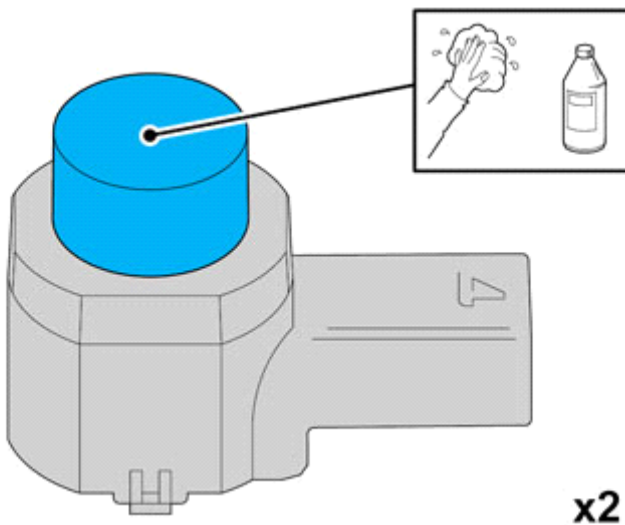


IMG-380131

Matt the surface gently.

Use: , Sand paper P1000

7



IMG-380123

Clean the surface.

Use: 1161721, Isopropanol

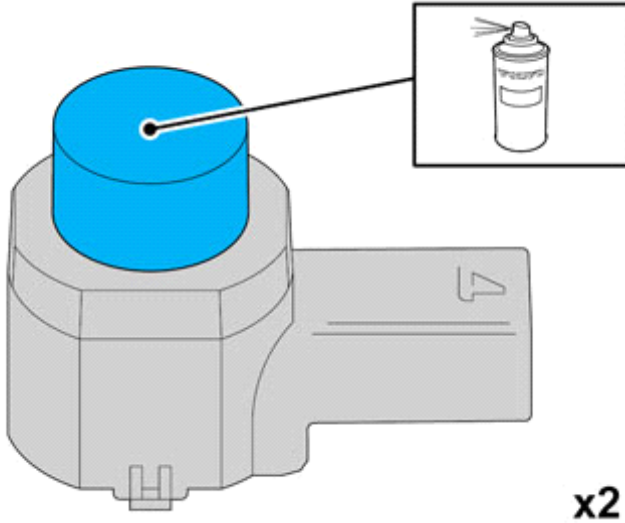
Allow to dry.



Installation instructions, accessories

Volvo Car Corporation Gothenburg, Sweden

8



IMG-380132

Caution!
Protect connector surfaces against paint spray.

Note!
Use correct color following the vehicle's paint code.

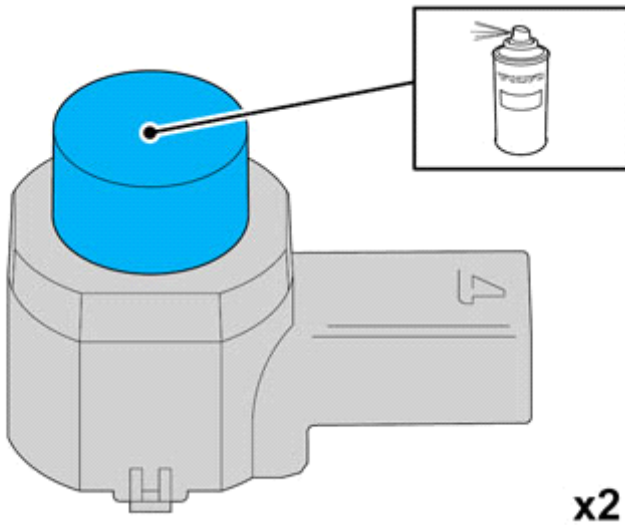
Use: , Volvo Original Touch-up paint

Use base coat only.

Also see the instructions on the container.

Allow to dry.

9



IMG-380132

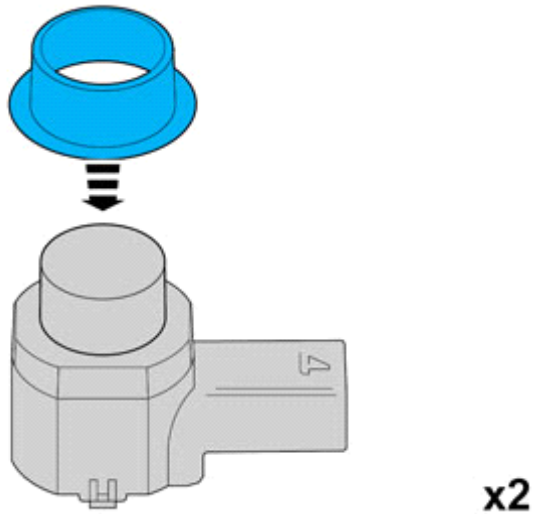
Use: 31335447, Varnish 2-component

Use base coat only.

Also see the instructions on the container.

Allow to dry.

10



IMG-380178

Use base coat only.



Installation instructions, accessories

Volvo Car Corporation Gothenburg, Sweden

Removal

11

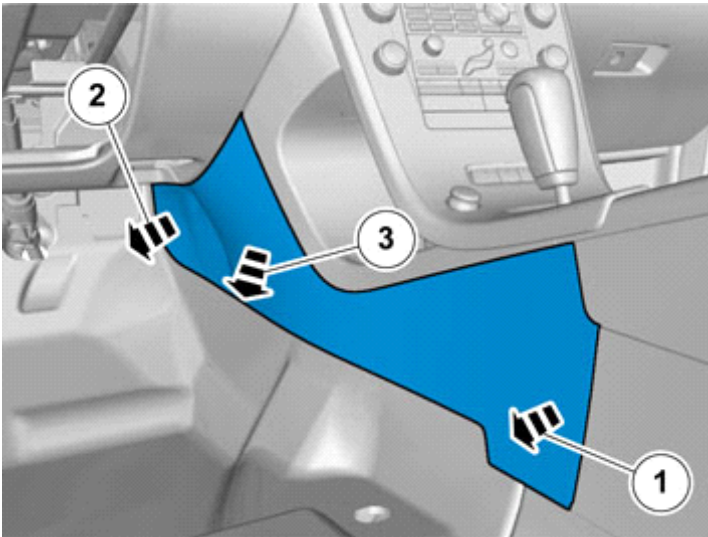
Set the ignition key to position 0.



IMG-332193

12

Remove the panel.



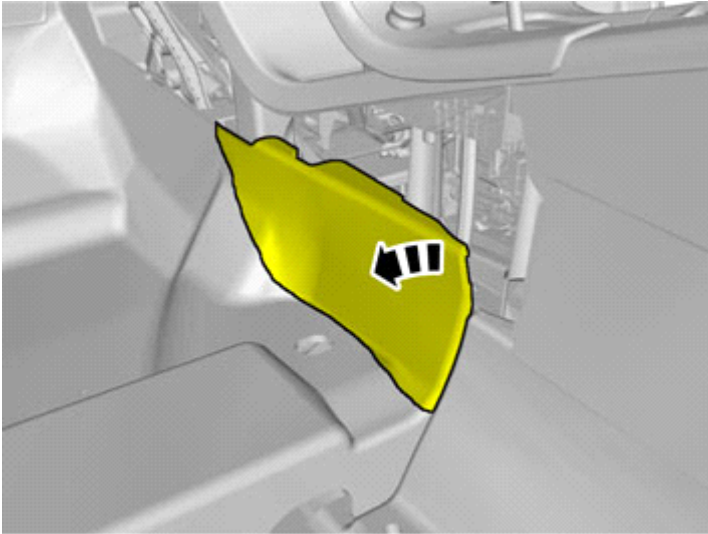
IMG-292804



Installation instructions, accessories

Volvo Car Corporation Gothenburg, Sweden

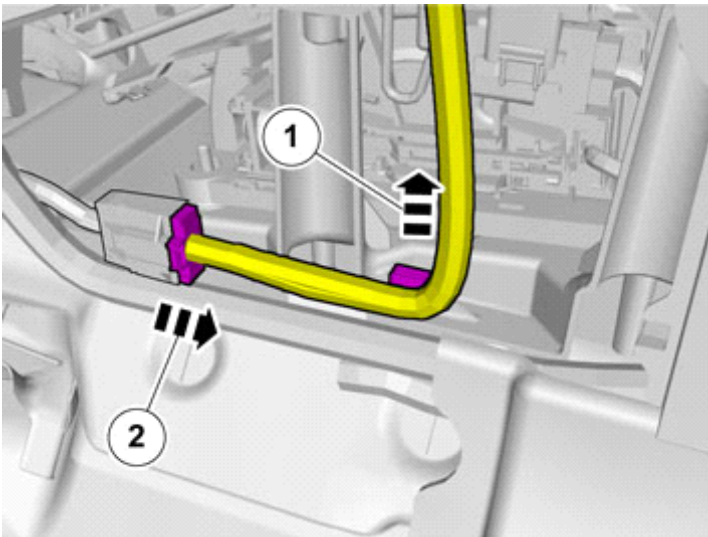
13



IMG-292806

Fold the carpet to the side.

14

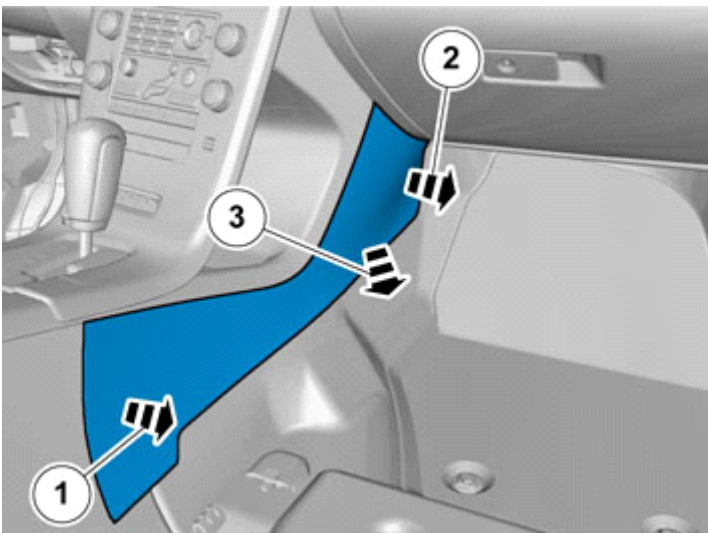


IMG-292823

Unhook the cable harness clips.

Disconnect the connector.

15



IMG-292826

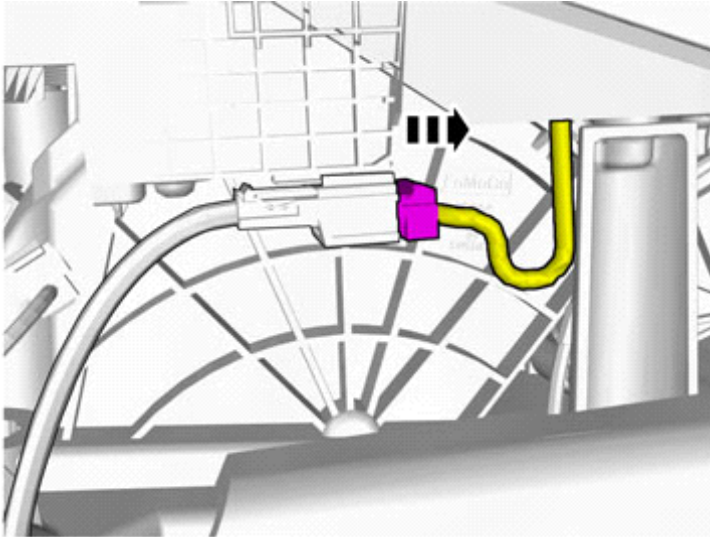
Remove the panel.



Installation instructions, accessories

Volvo Car Corporation Gothenburg, Sweden

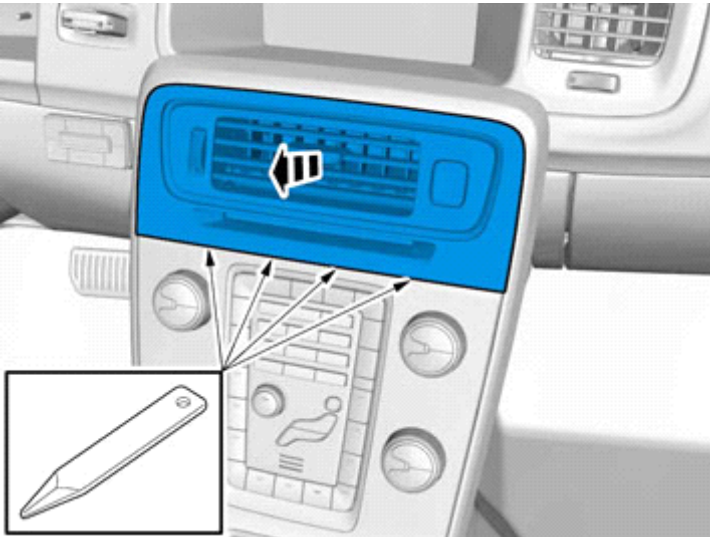
16



IMG-292827

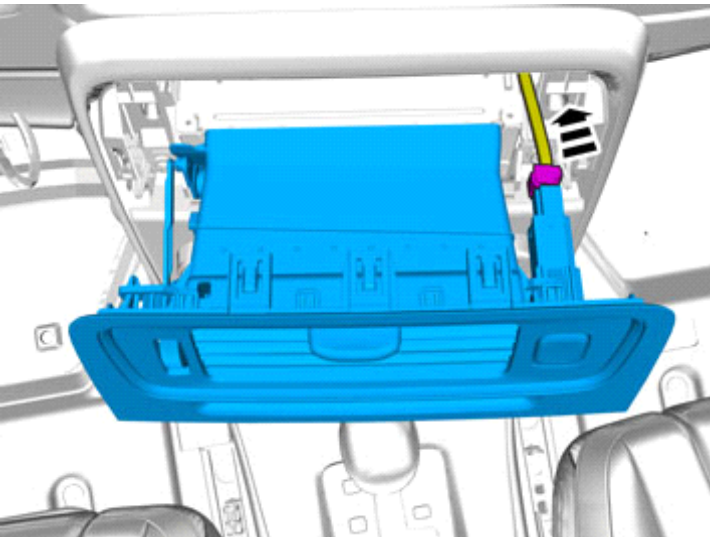
Disconnect the connector, if applicable.

17



IMG-346236

18



IMG-340984

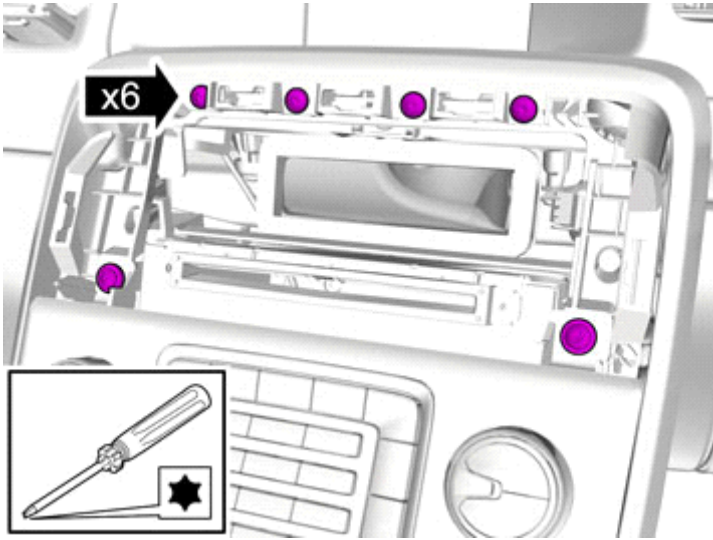
Disconnect the connector.



Installation instructions, accessories

Volvo Car Corporation Gothenburg, Sweden

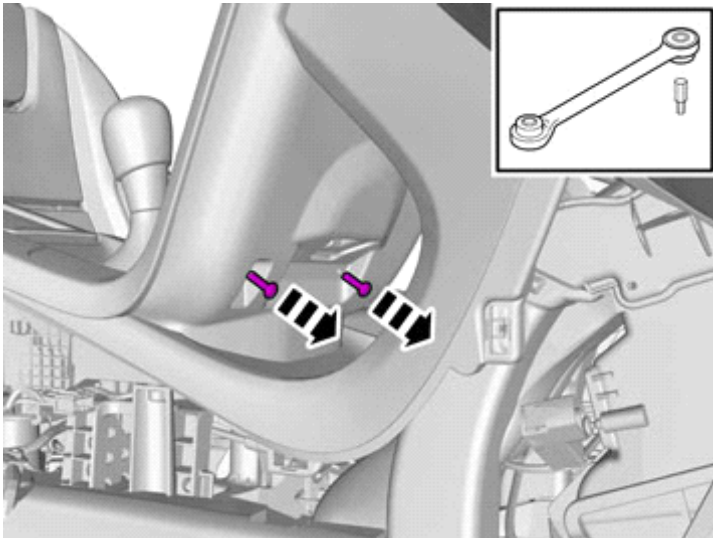
19



IMG-340985

Remove the screws.

20



IMG-355818

Remove the screws.

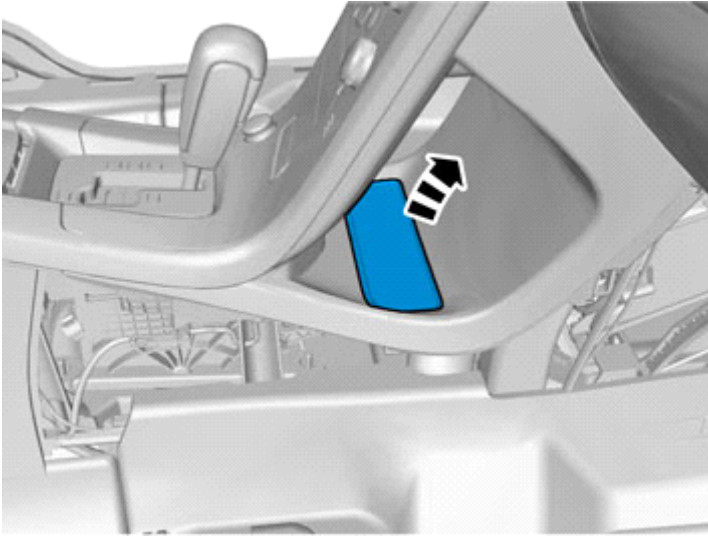
Cars with automatic transmissions



Installation instructions, accessories

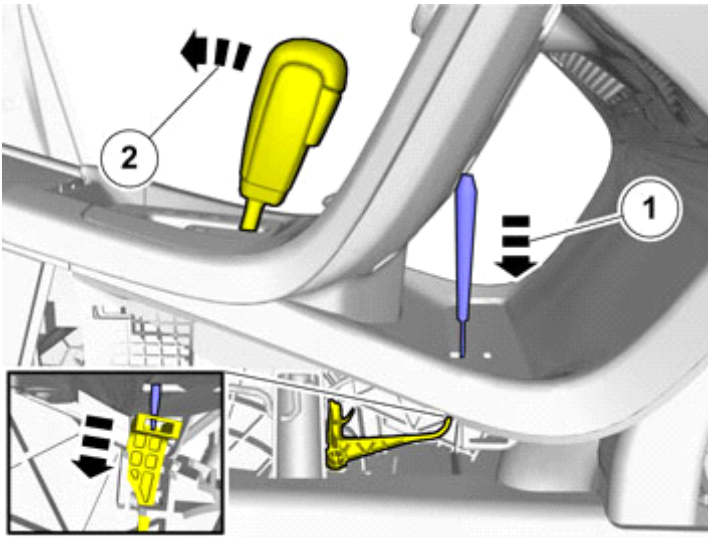
Volvo Car Corporation Gothenburg, Sweden

21



IMG-293006

22



IMG-293007

Release the shift-lock function.

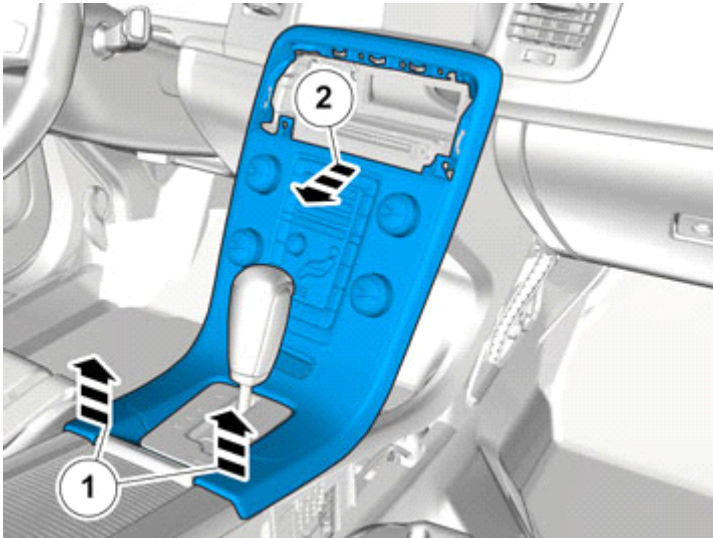
All vehicles



Installation instructions, accessories

Volvo Car Corporation Gothenburg, Sweden

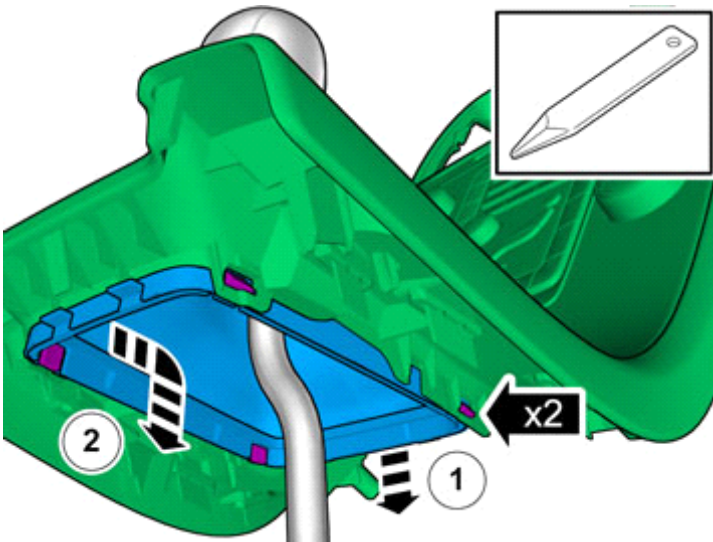
23



IMG-340981

Cars with manual transmissions

24



IMG-345292

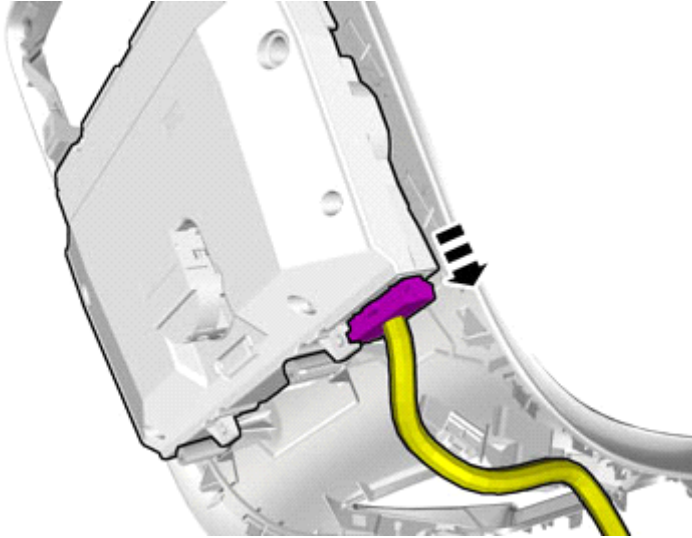
All vehicles



Installation instructions, accessories

Volvo Car Corporation Gothenburg, Sweden

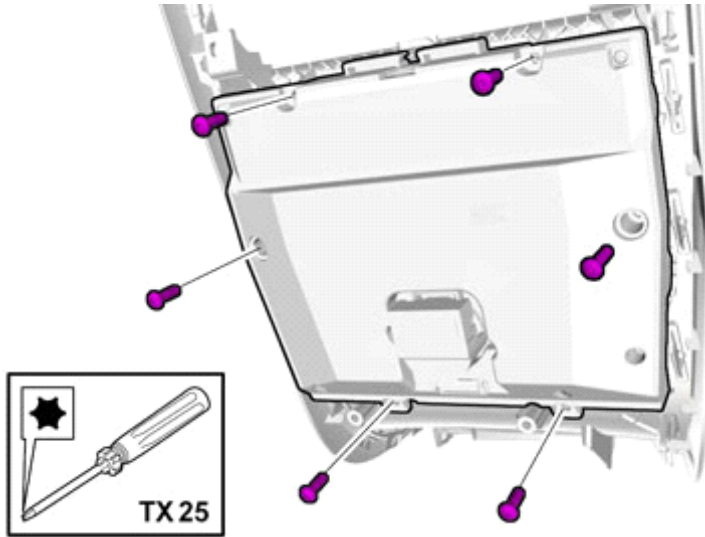
25



Disconnect the connector.

IMG-340604

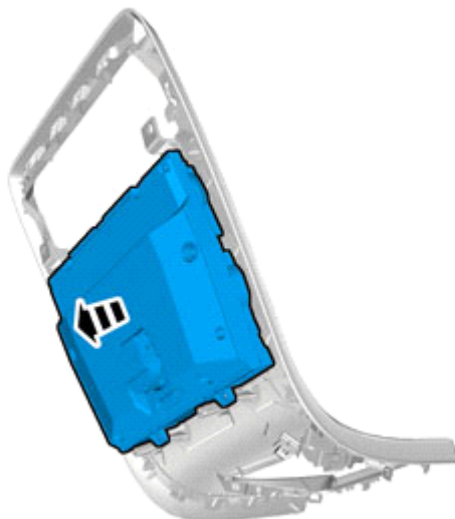
26



Remove the screws.

IMG-340605

27



Remove the marked part.

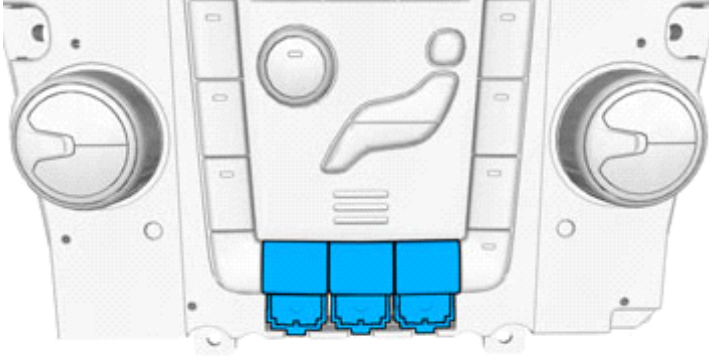
IMG-340607



Installation instructions, accessories

Volvo Car Corporation Gothenburg, Sweden

28



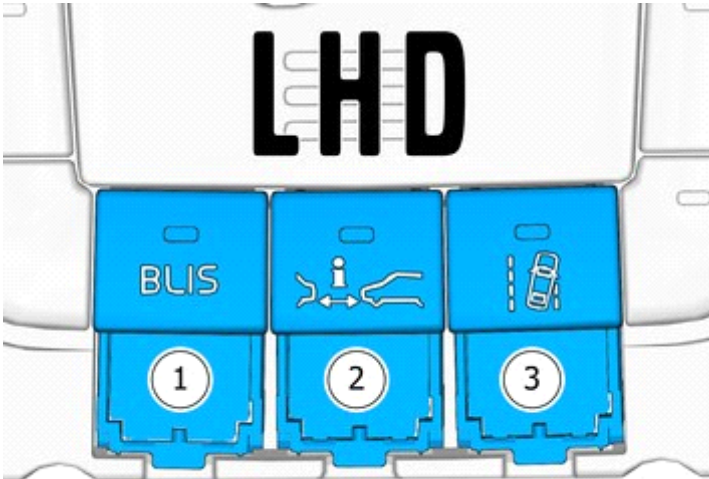
Note!
Orientation view

Select the first free position closest to the driver.

IMG-381763

Left hand drive vehicles

29



If all locations for the switch are occupied a switch with function must be removed in priority order as illustrated.

- BLIS
- Distance Alert
- Lane departure warning (LDW)

IMG-396256

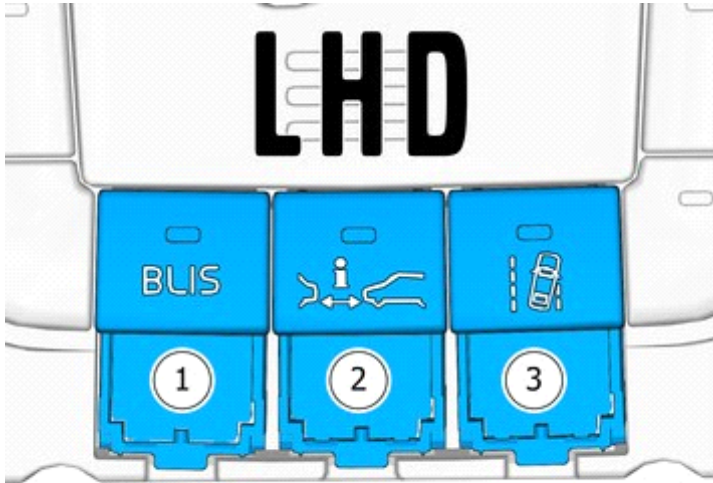
Right-hand drive vehicles



Installation instructions, accessories

Volvo Car Corporation Gothenburg, Sweden

30



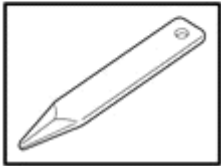
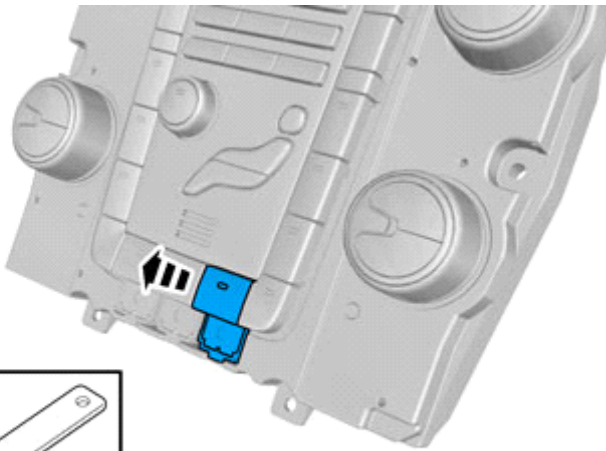
IMG-396256

If all locations for the switch are occupied a switch with function must be removed in priority order as illustrated.

- BLIS
- Distance Alert
- Lane departure warning (LDW)

All vehicles

31



IMG-380450

Remove the marked part.

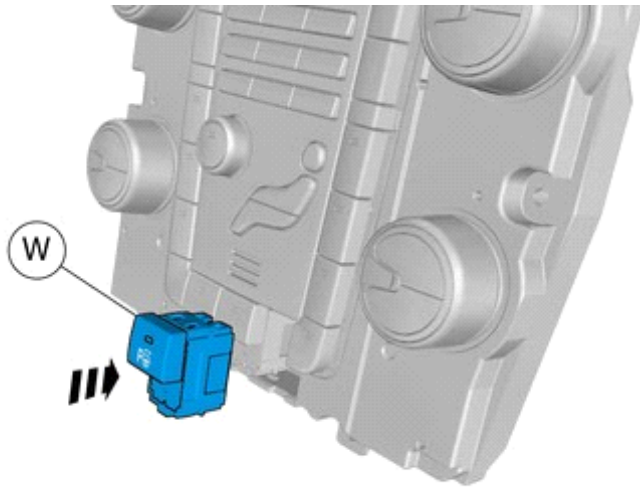
Accessory installation



Installation instructions, accessories

Volvo Car Corporation Gothenburg, Sweden

32

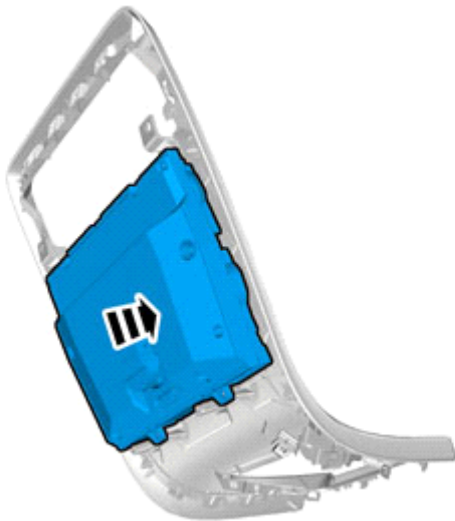


Install component that comes with the accessory kit.

IMG-380454

Installation

33



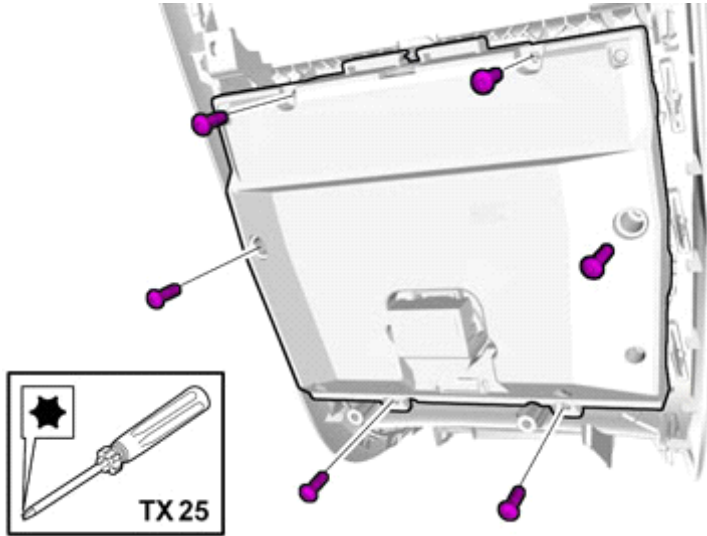
IMG-341739



Installation instructions, accessories

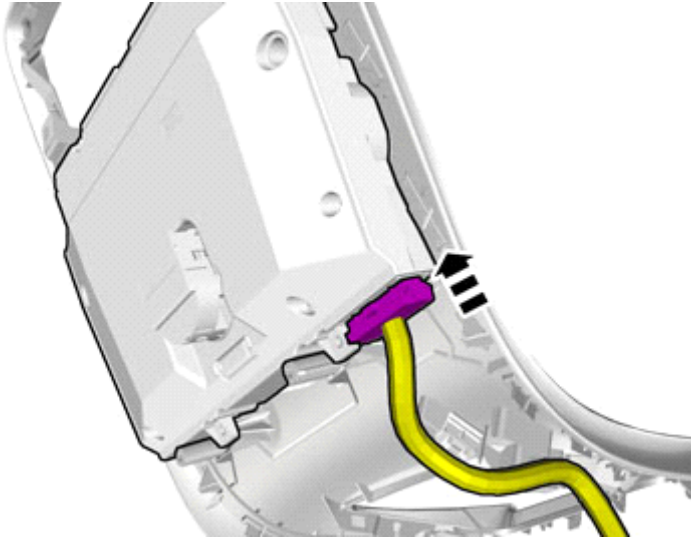
Volvo Car Corporation Gothenburg, Sweden

34



IMG-340605

35



IMG-340622

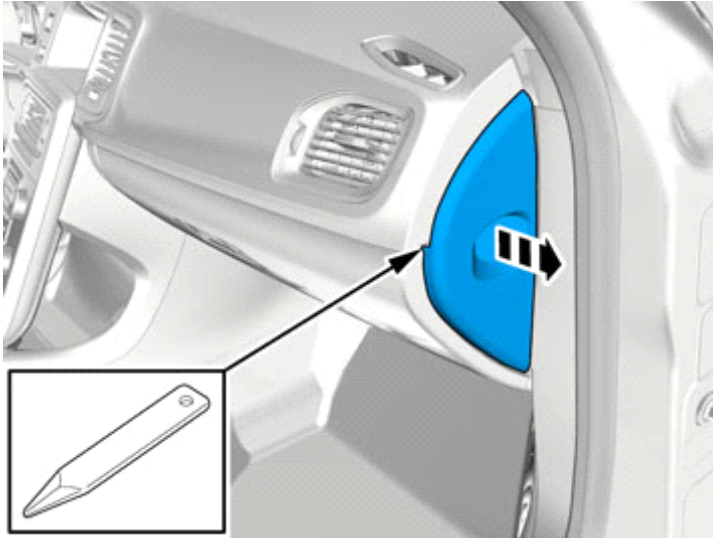
Removal



Installation instructions, accessories

Volvo Car Corporation Gothenburg, Sweden

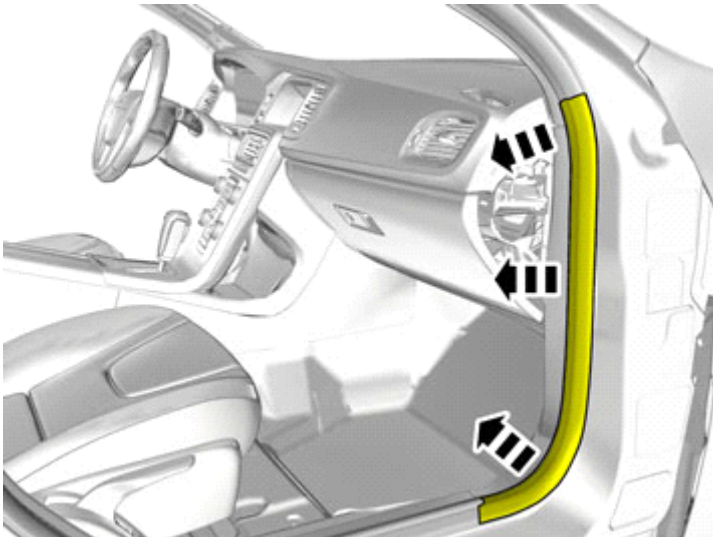
36



IMG-344926

Remove the panel.

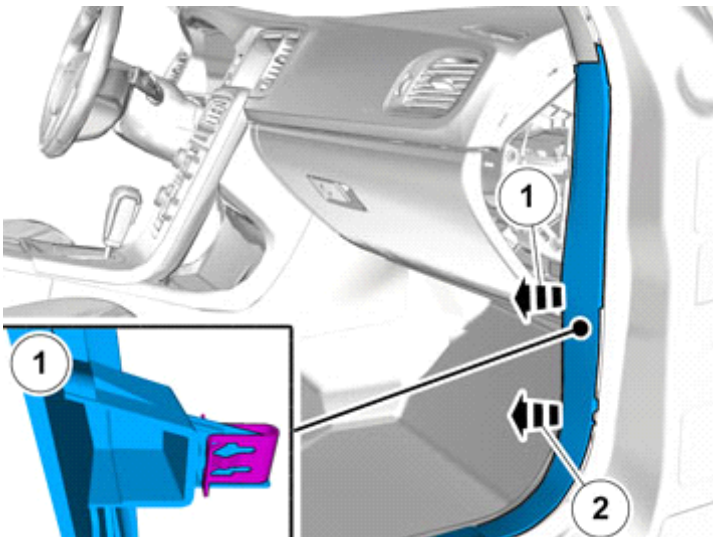
37



IMG-344927

Remove the weatherstrip.

38



IMG-344928

Caution!

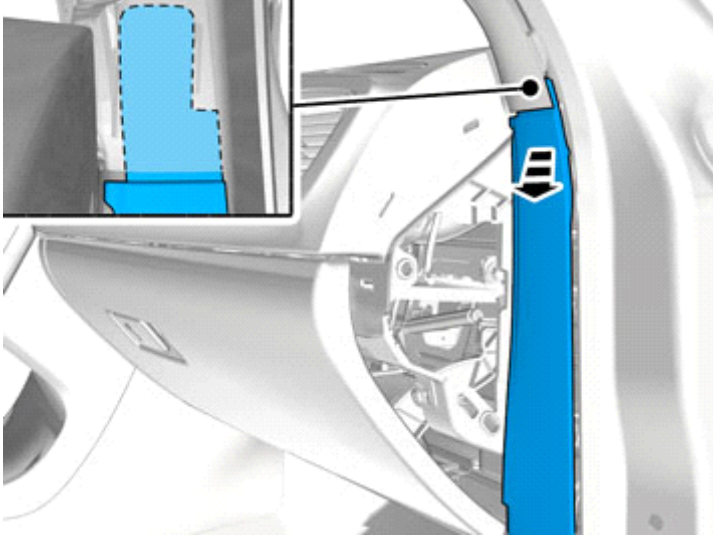
The front and upper sill panel must be removed and installed as one unit.



Installation instructions, accessories

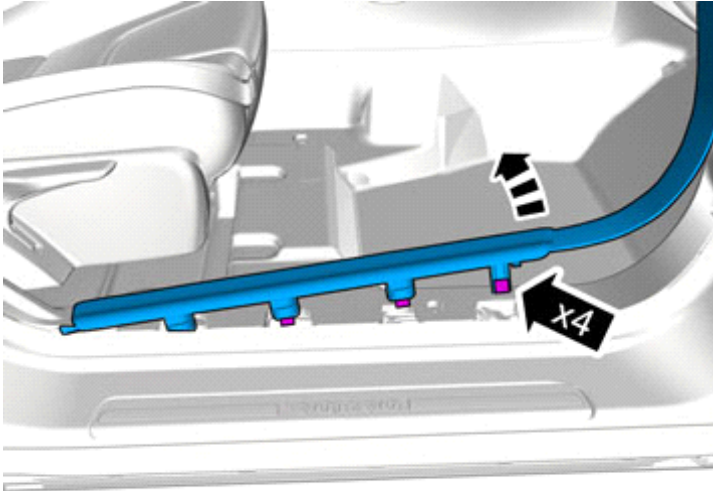
Volvo Car Corporation Gothenburg, Sweden

39



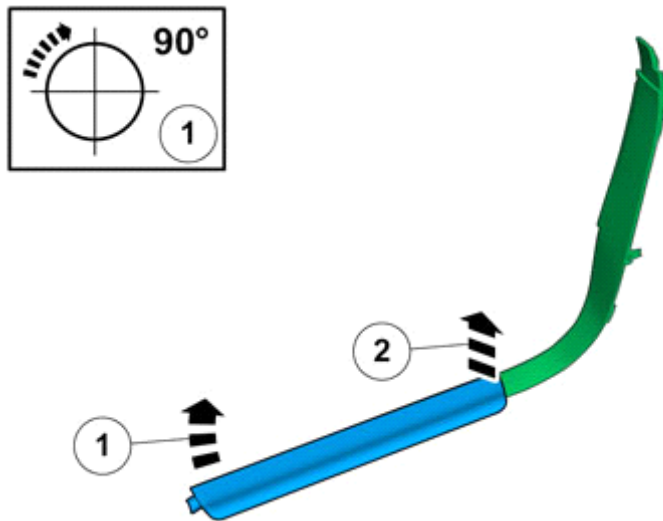
IMG-344929

40



IMG-344930

41



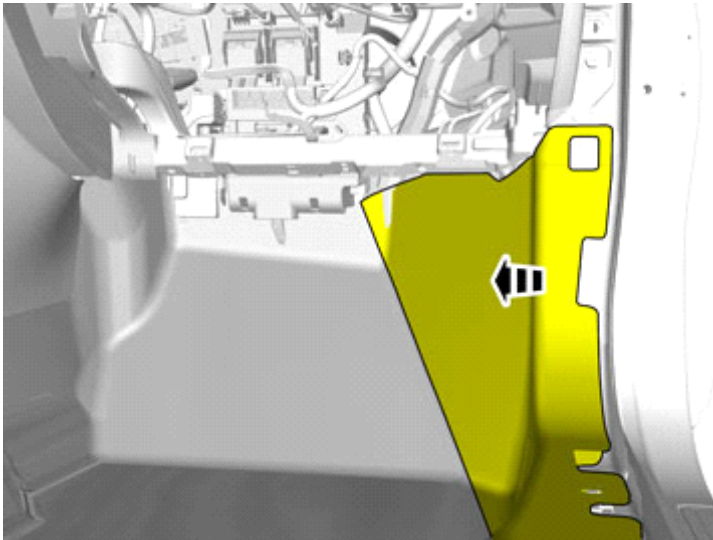
IMG-344451



Installation instructions, accessories

Volvo Car Corporation Gothenburg, Sweden

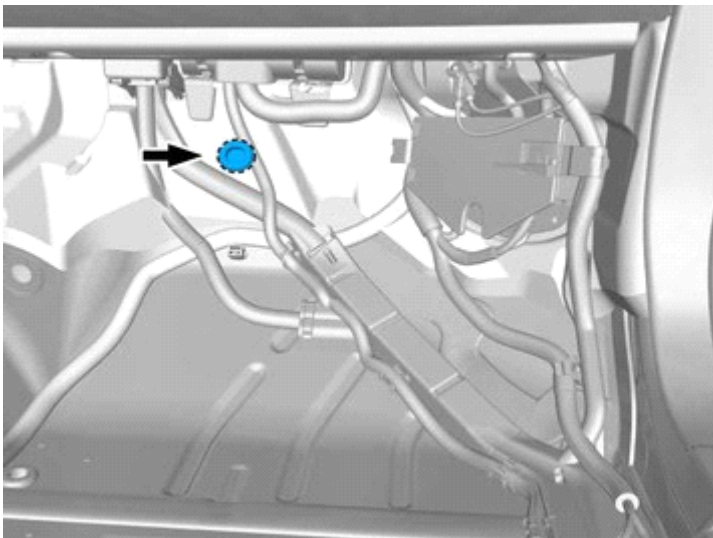
42



IMG-375379

Fold the carpet to the side.

43



IMG-396281

Locate the rubber grommet under the insulating mat.



Installation instructions, accessories

Volvo Car Corporation Gothenburg, Sweden

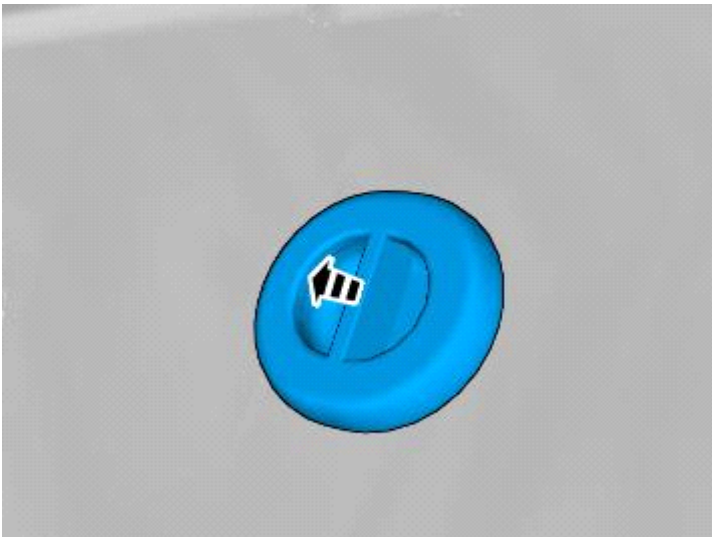
44



IMG-396796

Fold the insulation to one side.

45

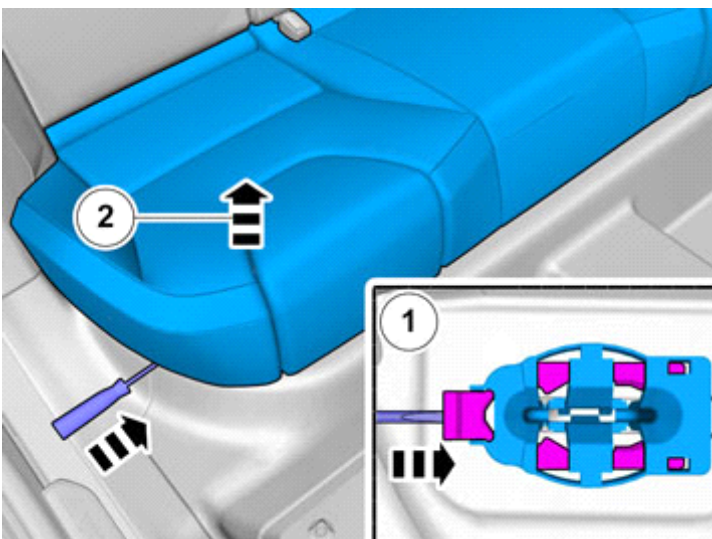


IMG-385185

Remove the marked part.

The part is not to be reused.

46



IMG-342372

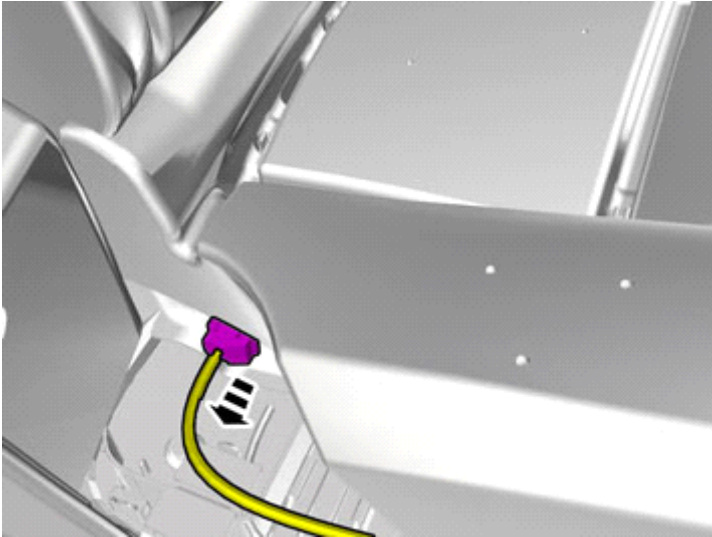
Repeat on the other side.



Installation instructions, accessories

Volvo Car Corporation Gothenburg, Sweden

47

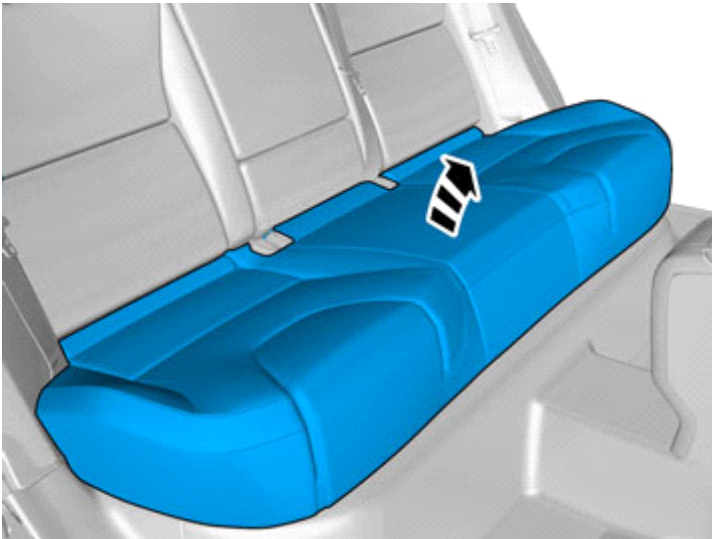


IMG-341902

Disconnect the connector, if applicable.

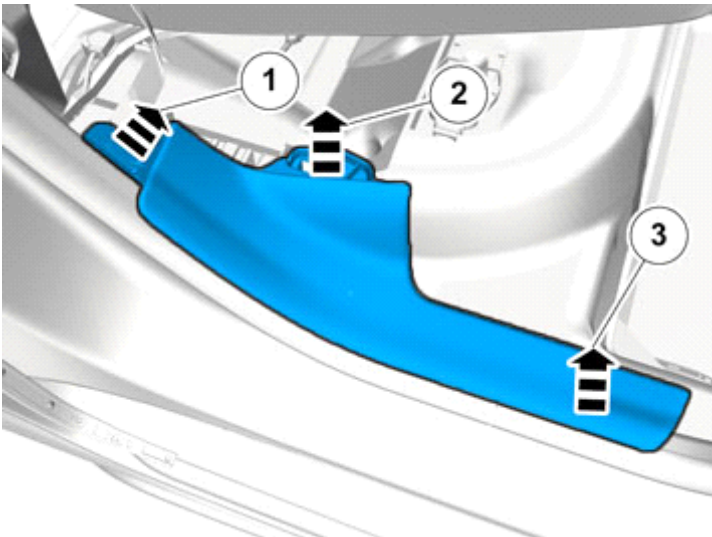
Repeat on the other side.

48



IMG-360124

49



IMG-341906

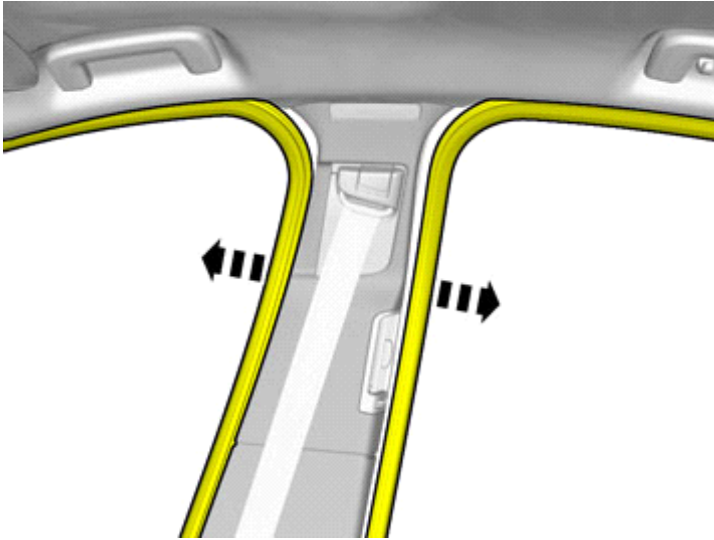
Remove the panel.



Installation instructions, accessories

Volvo Car Corporation Gothenburg, Sweden

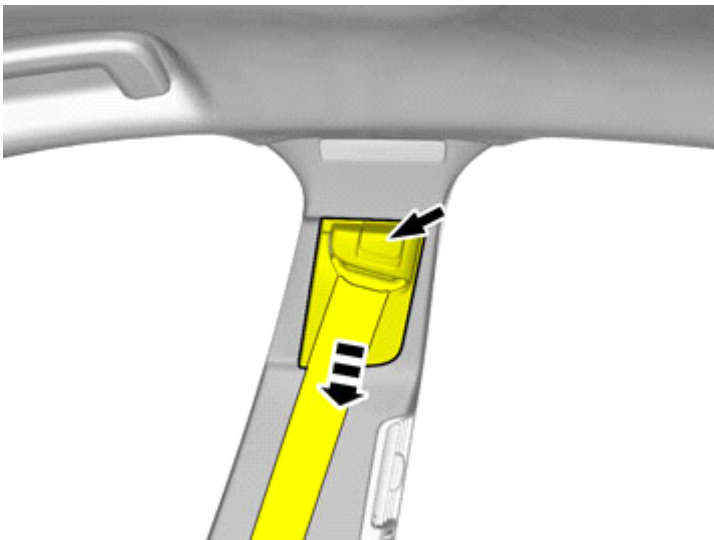
50



IMG-382077

Remove the weatherstrips.

51



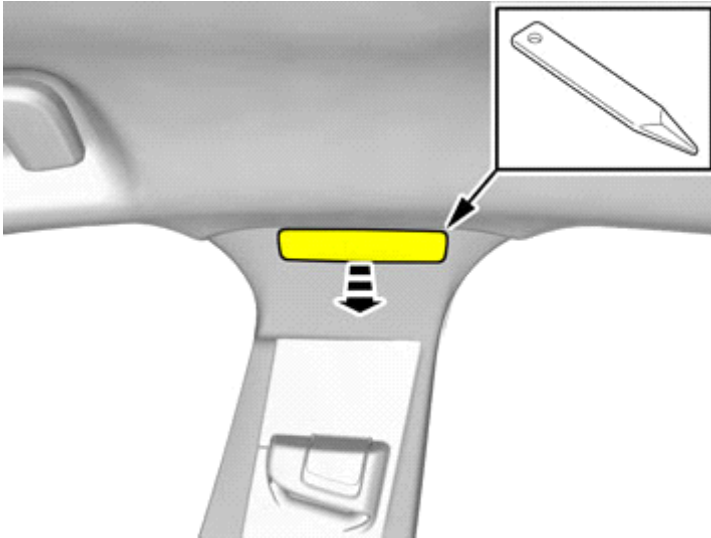
IMG-382078



Installation instructions, accessories

Volvo Car Corporation Gothenburg, Sweden

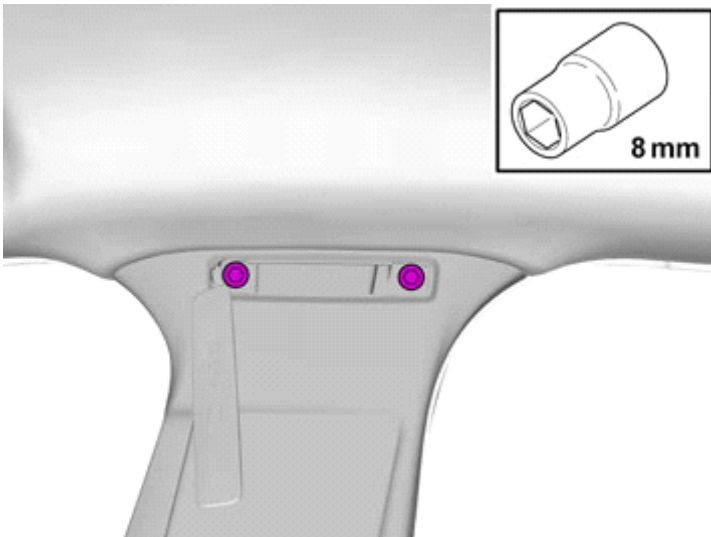
52



Detach the panel.

IMG-382079

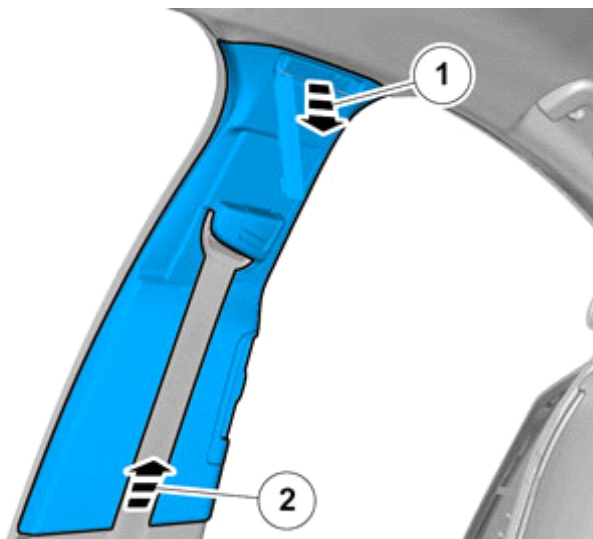
53



Remove the screws.

IMG-382080

54



Remove the panel.

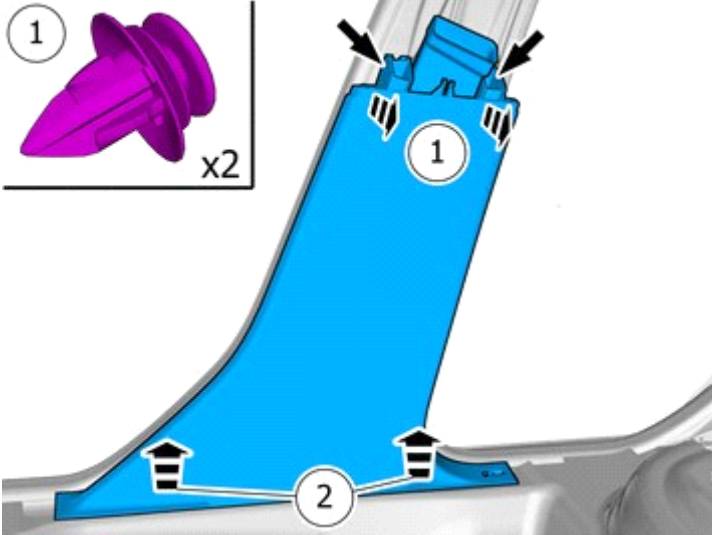
IMG-382081



Installation instructions, accessories

Volvo Car Corporation Gothenburg, Sweden

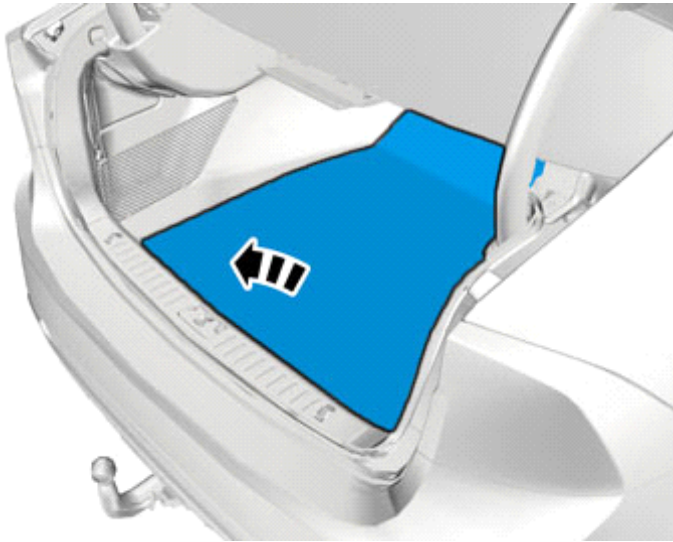
55



IMG-382090

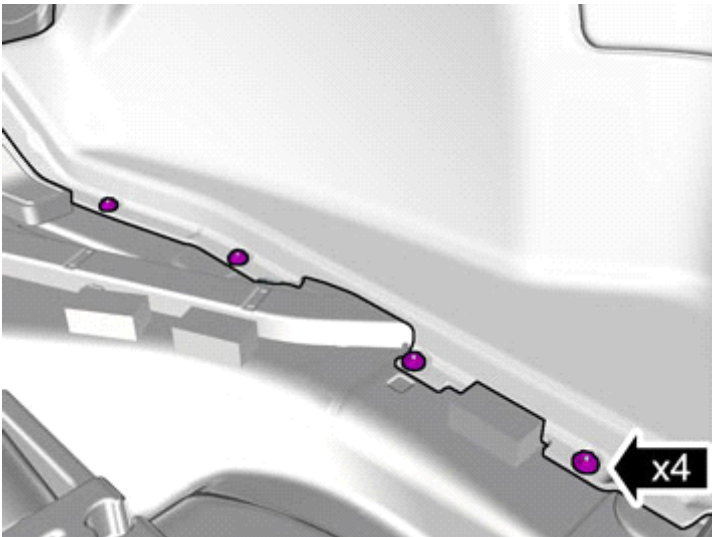
Remove the panel.

56



IMG-341907

57



IMG-341908

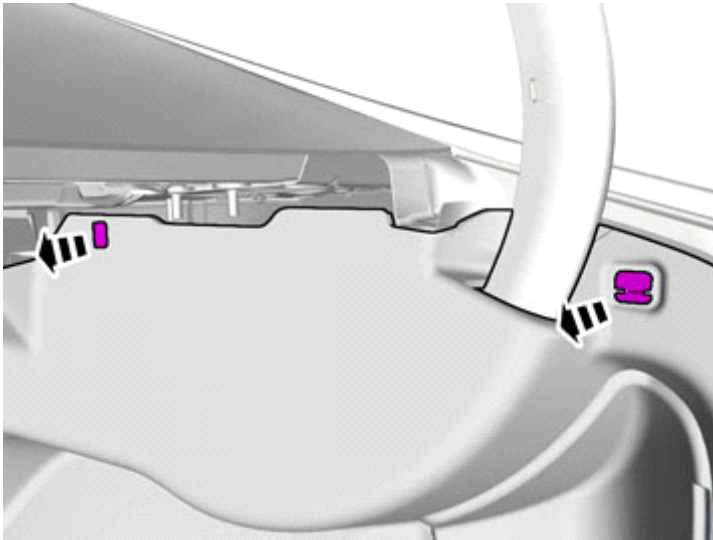
Remove the nuts.



Installation instructions, accessories

Volvo Car Corporation Gothenburg, Sweden

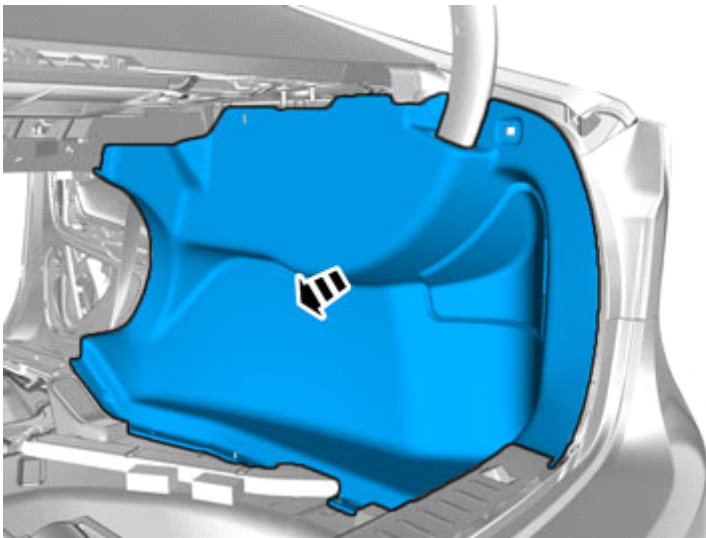
58



IMG-341910

Remove the clips.

59



IMG-341909

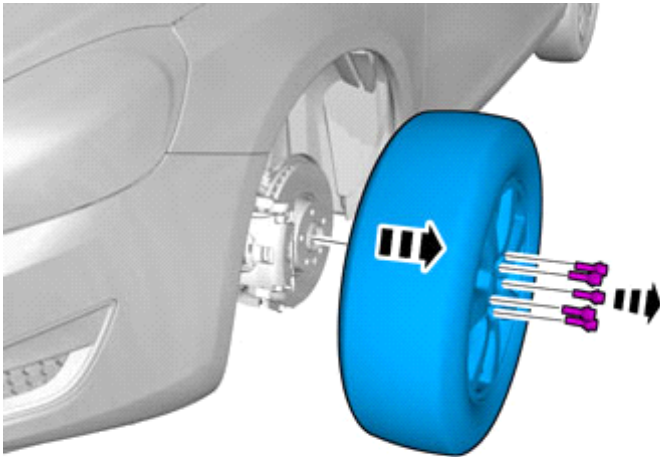
Remove the panel.



Installation instructions, accessories

Volvo Car Corporation Gothenburg, Sweden

60



Caution!

Left side! This step applies also to right-hand drive vehicles!

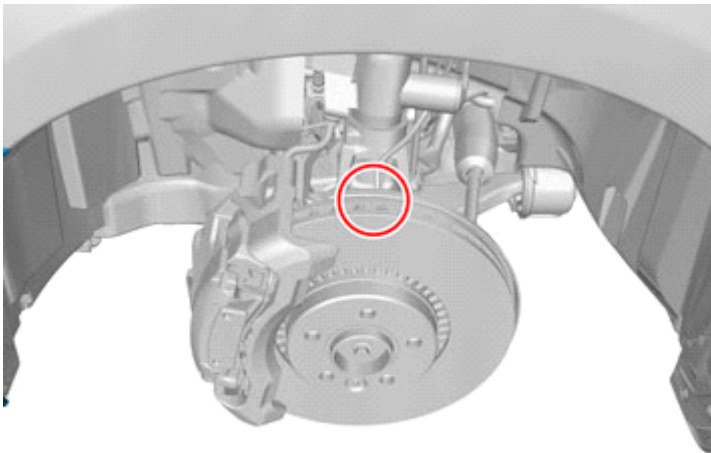
Tightening torque: Wheel to wheel hub

Stage 1: 20 Nm

Stage 2: 140 Nm

IMG-352021

61

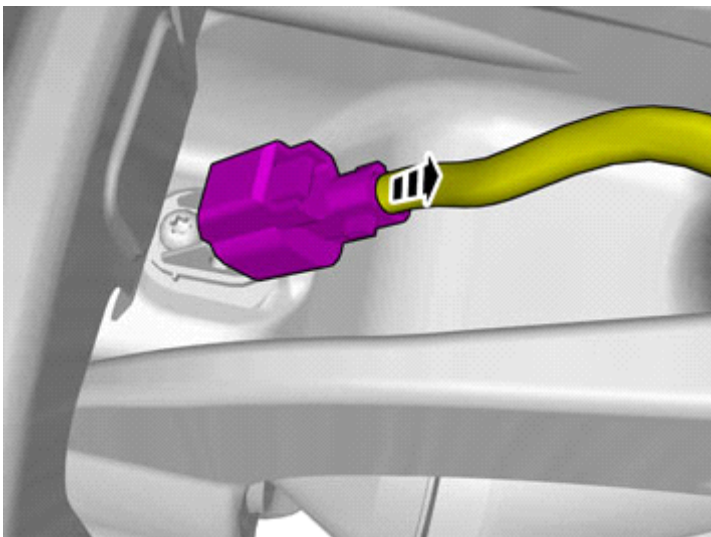


Note!

Orientation view

IMG-381634

62



Disconnect the connector.

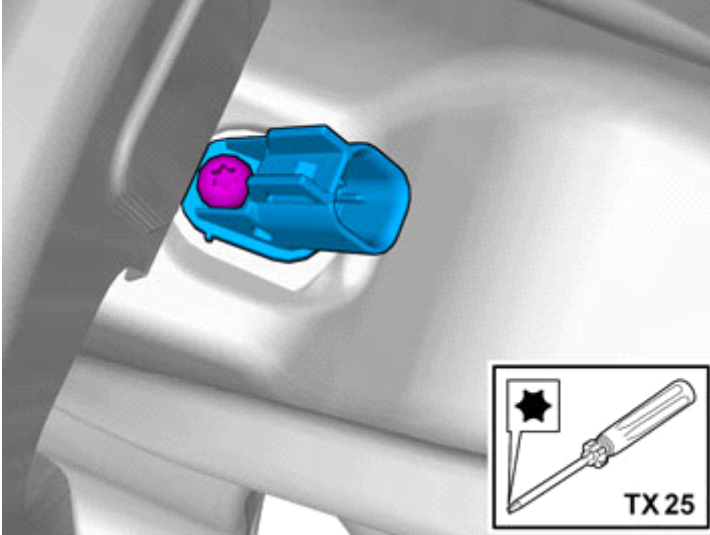
IMG-381635



Installation instructions, accessories

Volvo Car Corporation Gothenburg, Sweden

63



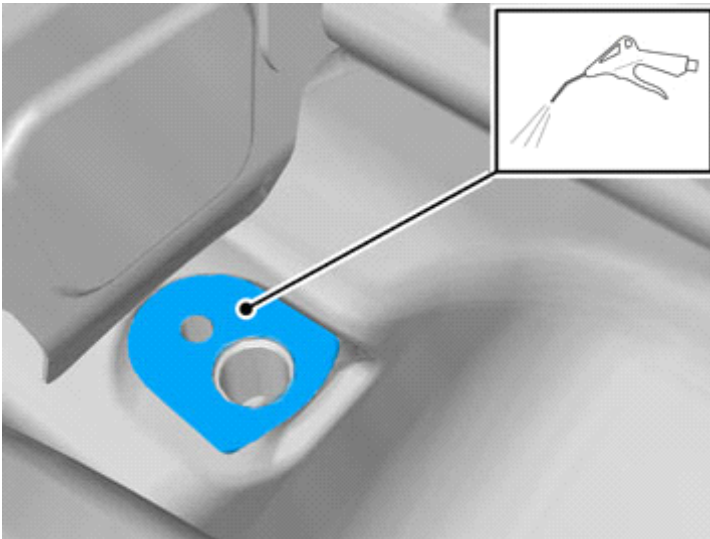
IMG-381636

Remove the screw.

Remove the marked part.

Accessory installation

64



IMG-381633

Caution!

Left side! This step applies also to right-hand drive vehicles!

Note!

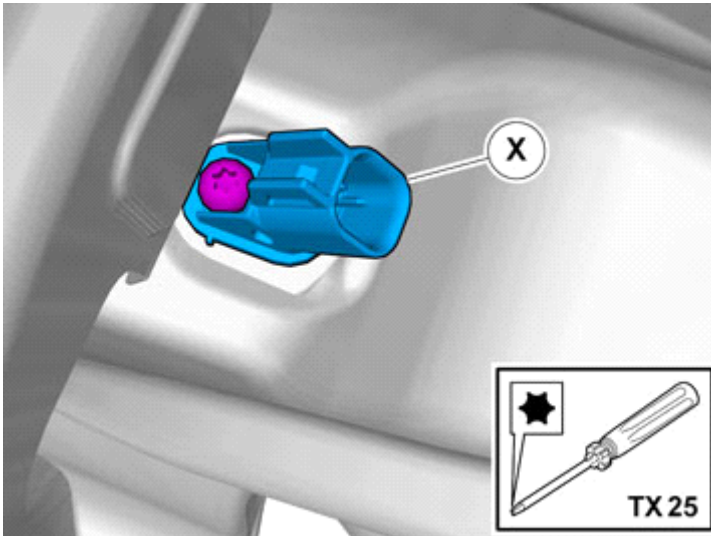
Make sure that the mating faces are clean and free of foreign material.



Installation instructions, accessories

Volvo Car Corporation Gothenburg, Sweden

65

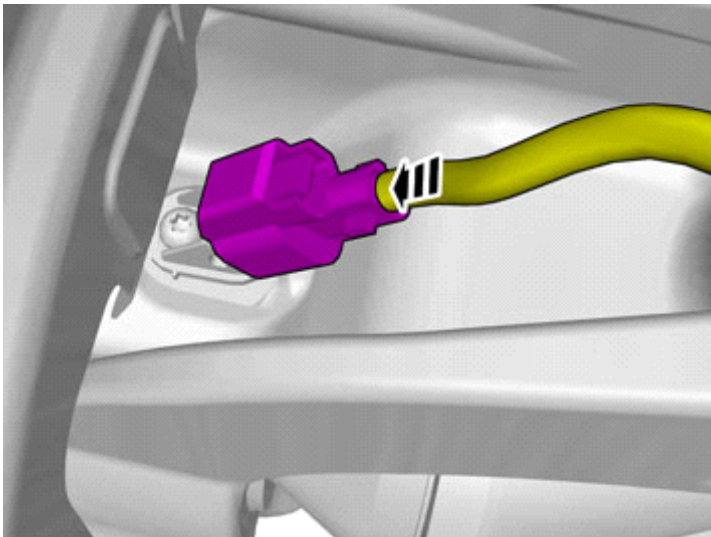


IMG-381637

Install component that comes with the accessory kit.

Tightening torque: M5 , 5 Nm

66



IMG-381638

Connect the connector.

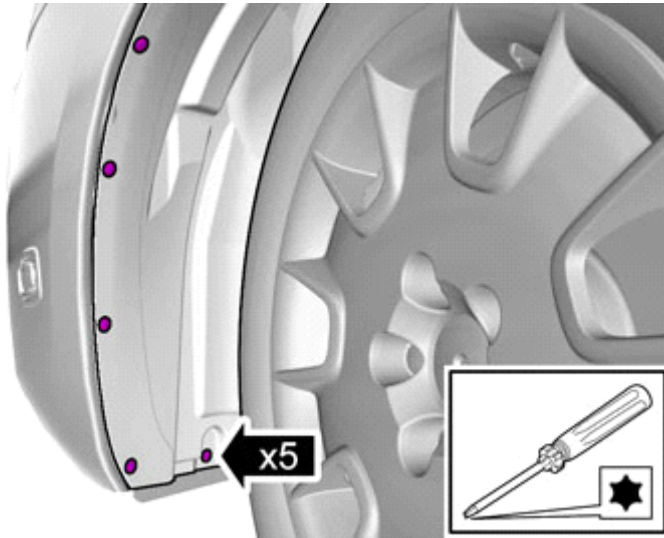
Removal



Installation instructions, accessories

Volvo Car Corporation Gothenburg, Sweden

67

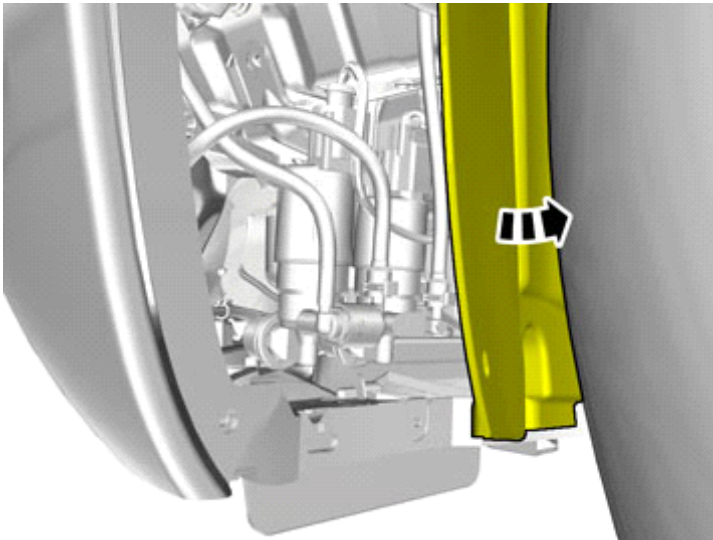


IMG-341913

Remove the screws.

Vehicles with headlamp washers

68



IMG-341914

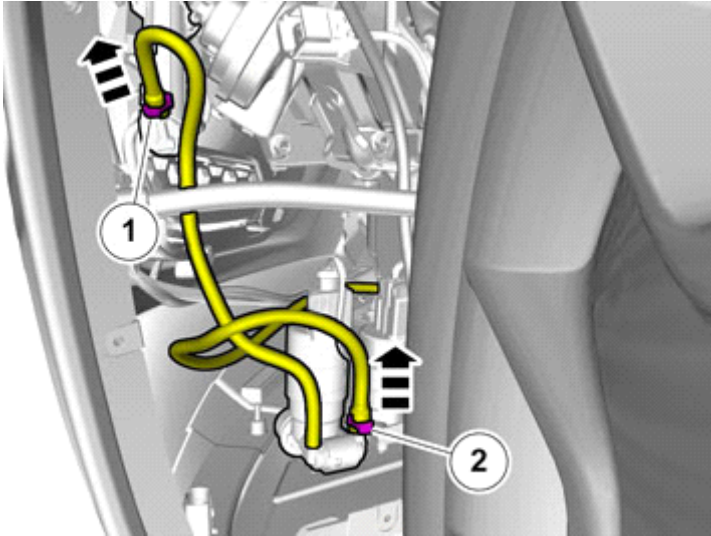
Fold the wing liner to one side.



Installation instructions, accessories

Volvo Car Corporation Gothenburg, Sweden

69



IMG-341915

Warning!

Be prepared to collect escaping fluid.

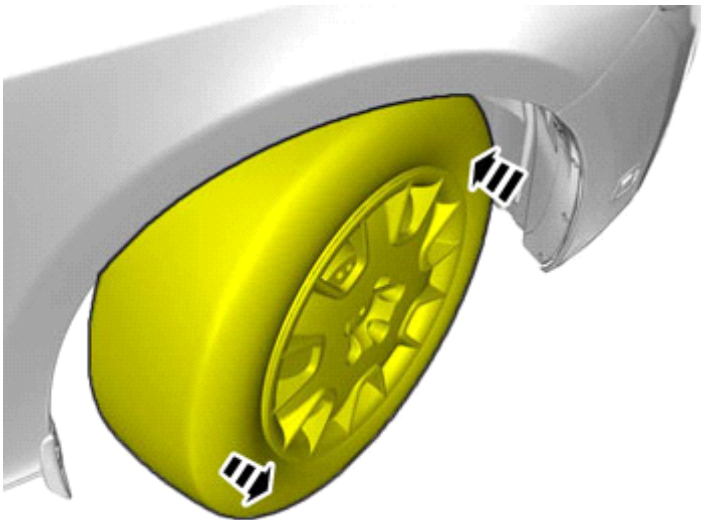
Note!

Tape the hose high up on the washer fluid reservoir to prevent washer fluid from coming out.

Take a piece of washer hose. Tie a knot in it and place it on the washer pump to prevent the washer fluid reservoir from emptying.

Right-hand drive vehicles

70



IMG-341916

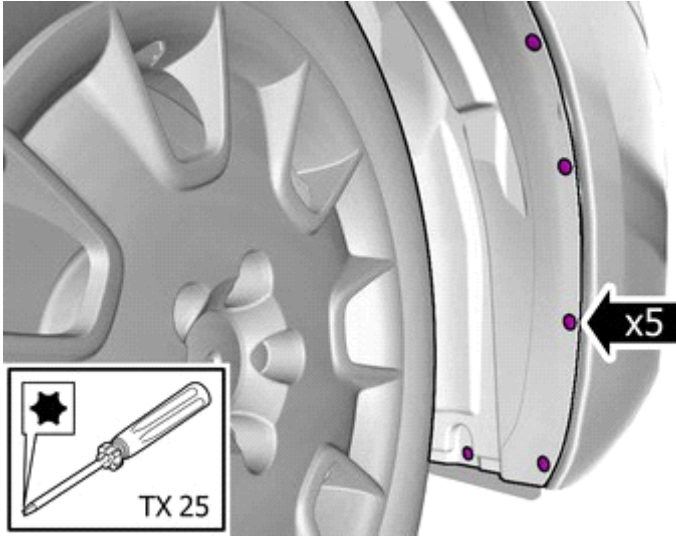
Turn the wheel inwards.



Installation instructions, accessories

Volvo Car Corporation Gothenburg, Sweden

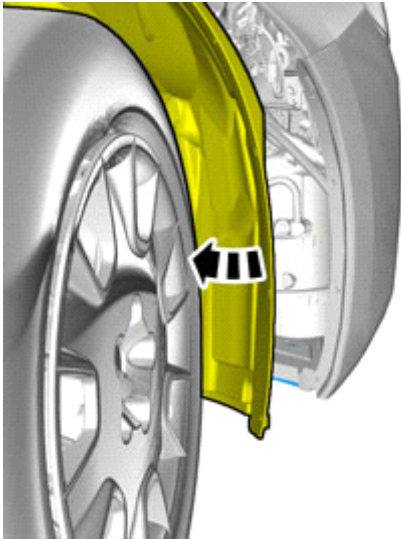
71



IMG-341917

Remove the screws.

72



IMG-341918

Fold the wing liner to one side.

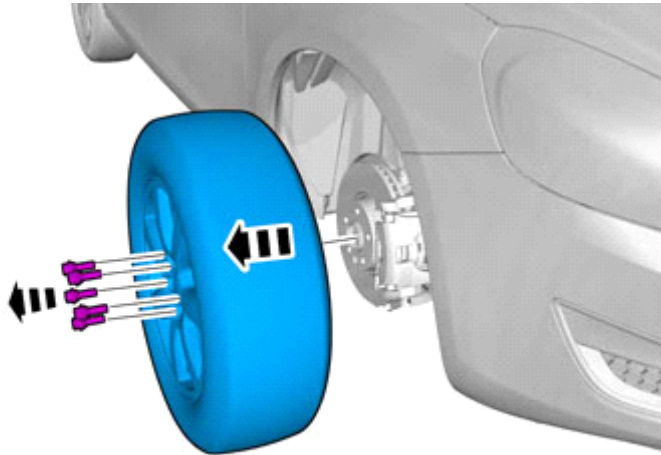
Left hand drive vehicles



Installation instructions, accessories

Volvo Car Corporation Gothenburg, Sweden

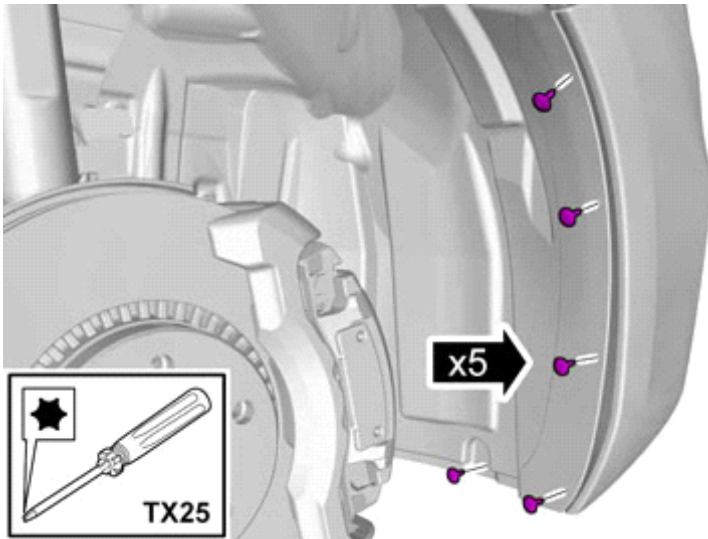
73



Tightening torque: Wheel to wheel hub
Stage 1: 20 Nm
Stage 2: 140 Nm

IMG-382362

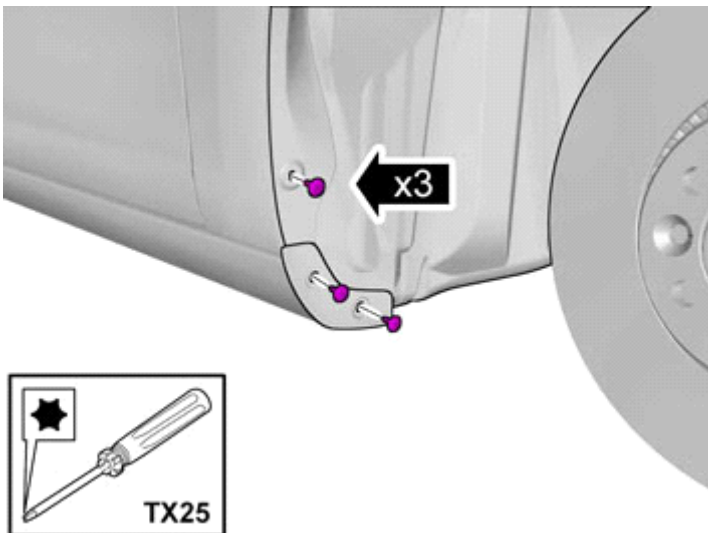
74



Remove the screws.

IMG-382364

75



Remove the screws.

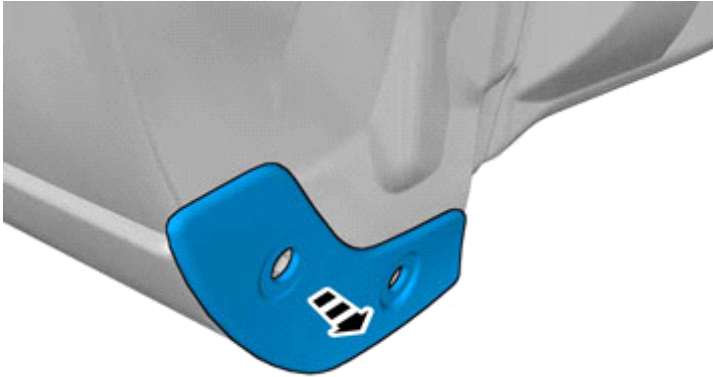
IMG-382363



Installation instructions, accessories

Volvo Car Corporation Gothenburg, Sweden

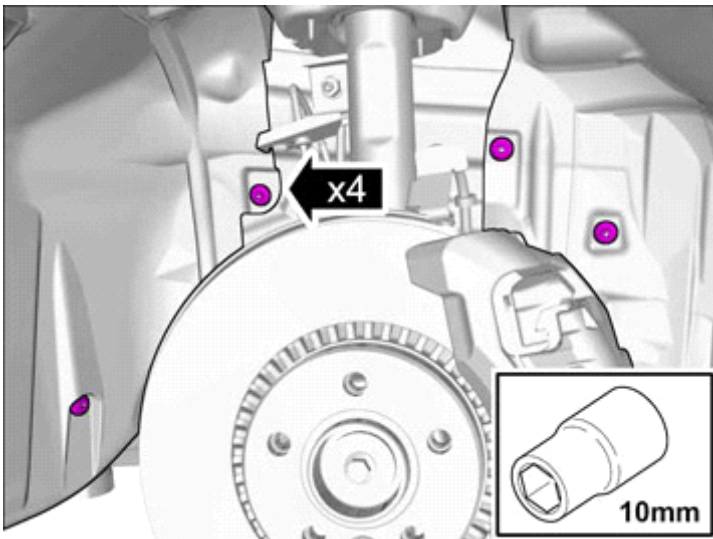
76



Remove the marked part.

IMG-382366

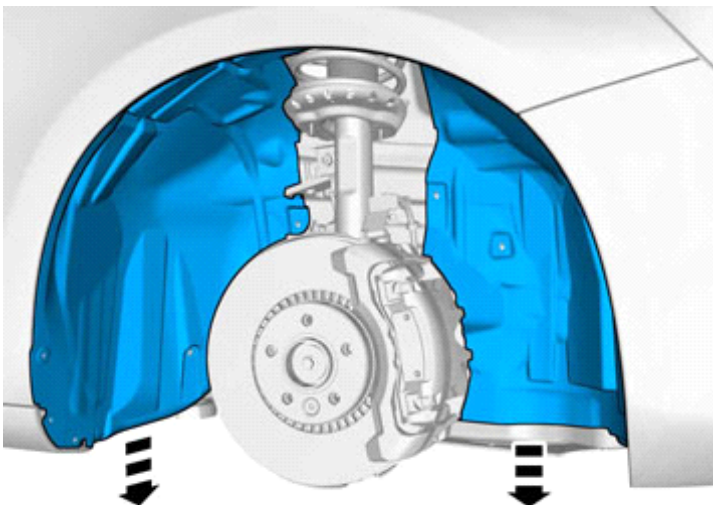
77



Remove the nuts.

IMG-382367

78



Remove the marked part.

IMG-382368

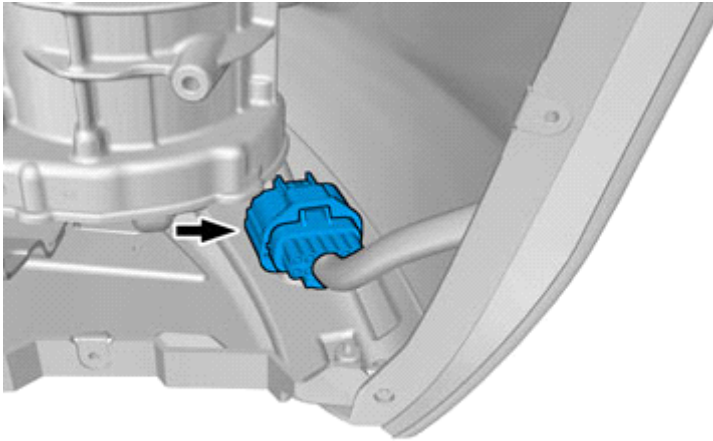


Installation instructions, accessories

Volvo Car Corporation Gothenburg, Sweden

All vehicles

79

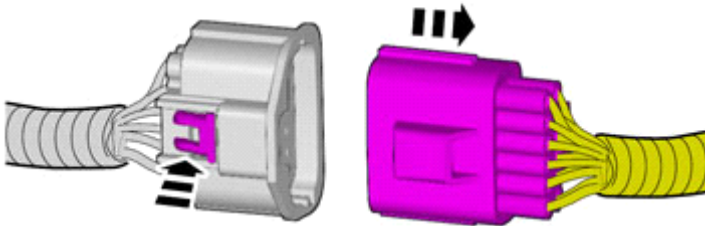


Locate the connector.

IMG-378274

80

- Depress the locking device.
- Disconnect the connector.



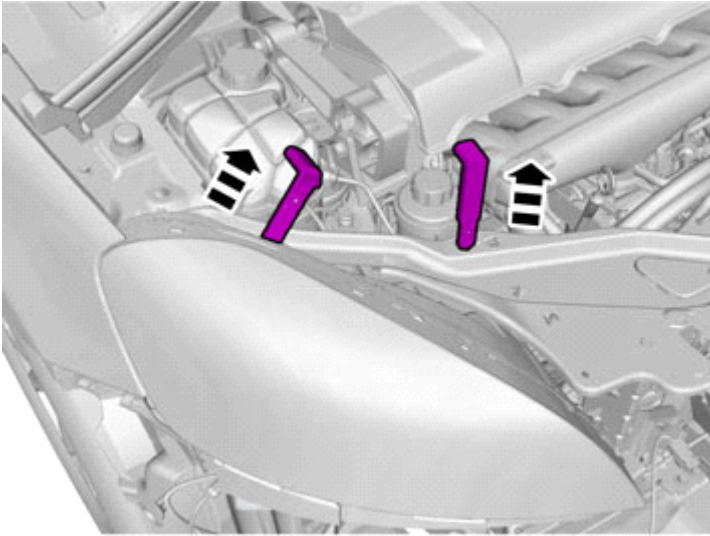
IMG-378285



Installation instructions, accessories

Volvo Car Corporation Gothenburg, Sweden

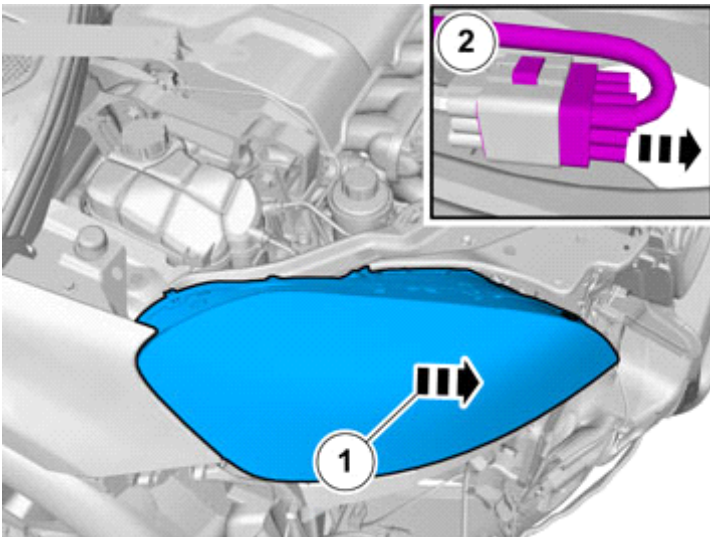
81



IMG-307687

Release the locks.

82

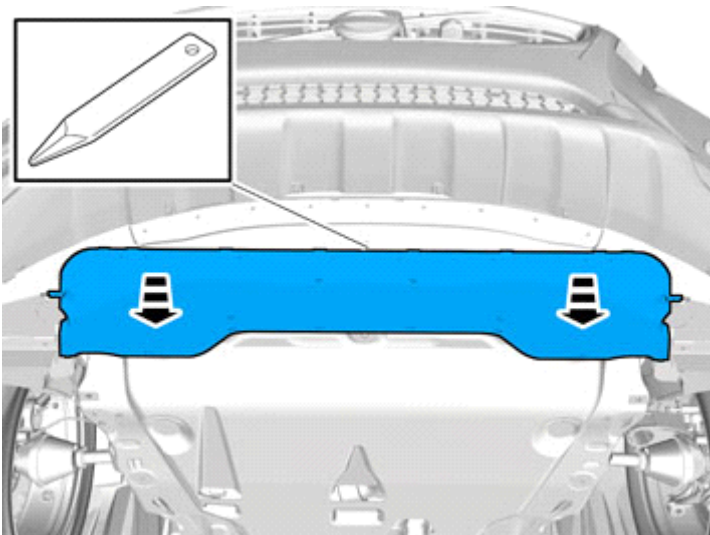


IMG-307688

Remove the marked part.

Disconnect the connector.

83



IMG-341924

Remove the marked part.

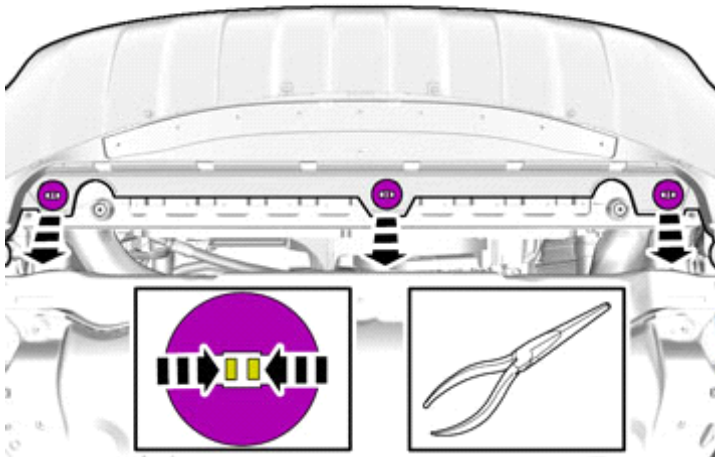


Installation instructions, accessories

Volvo Car Corporation Gothenburg, Sweden

84

Remove the clips.



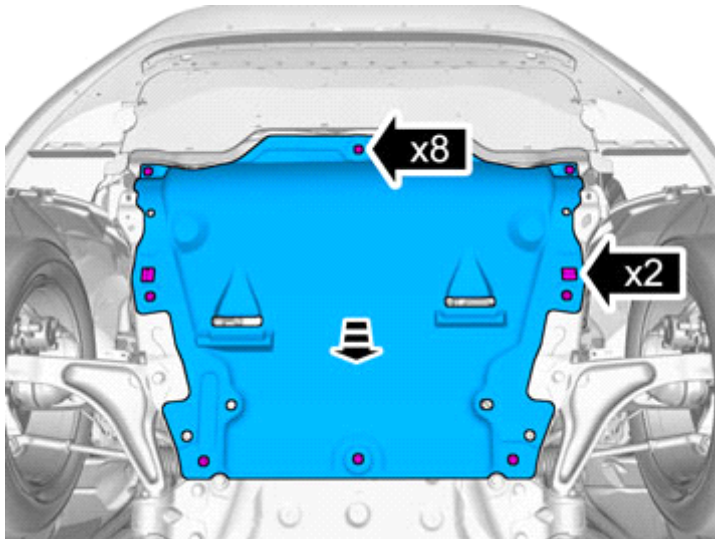
IMG-341927

85

Remove the clips.

Remove the screws.

Remove the marked part.



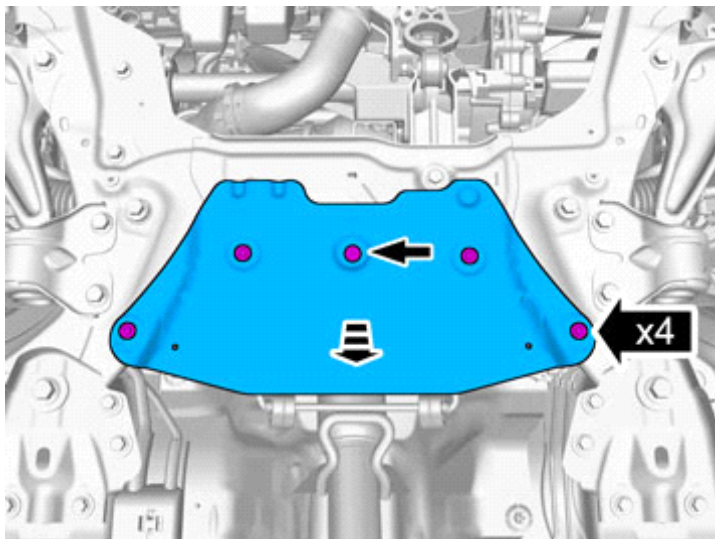
IMG-382096

86

Remove the clip.

Remove the screws.

Remove the marked part.



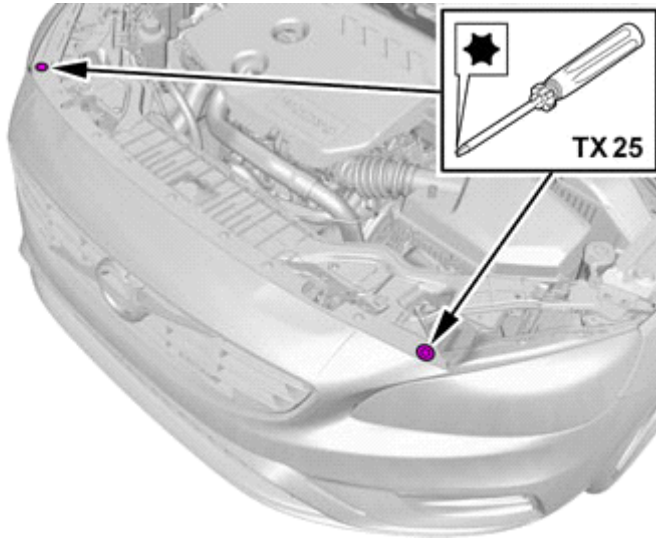
IMG-382097



Installation instructions, accessories

Volvo Car Corporation Gothenburg, Sweden

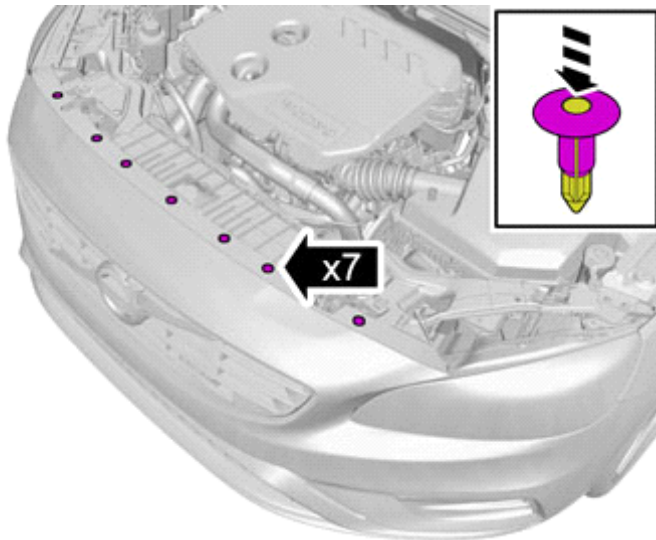
87



Remove the screws.

IMG-379127

88



Remove the clips.

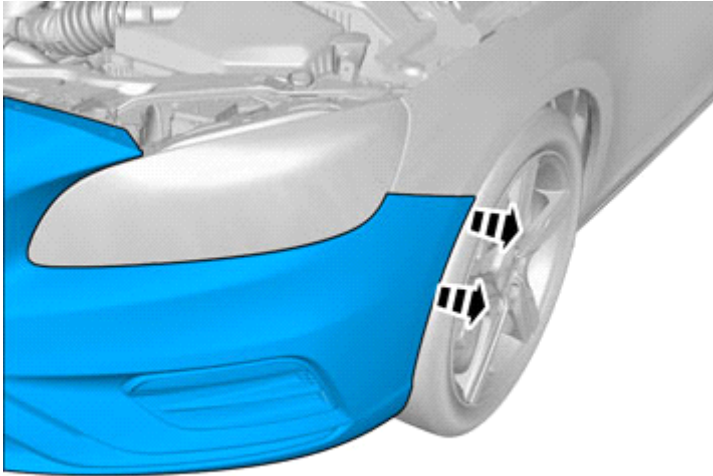
IMG-379126



Installation instructions, accessories

Volvo Car Corporation Gothenburg, Sweden

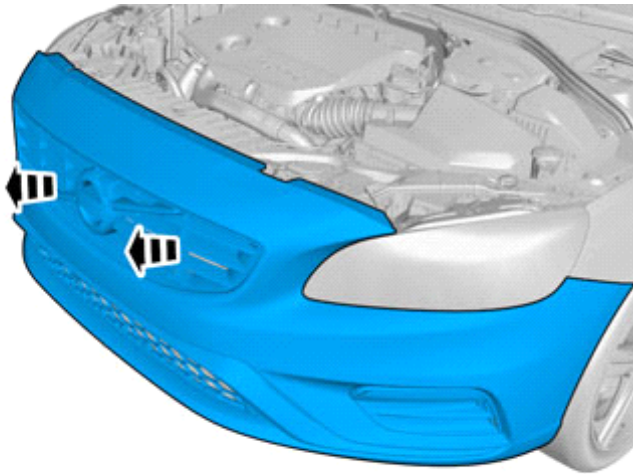
89



Repeat on the other side.

IMG-379129

90

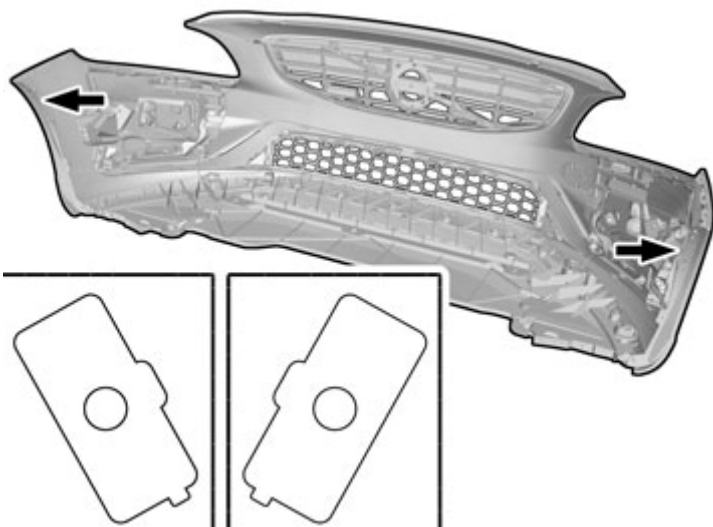


Caution!

Place the Bumper Cover on a suitable surface.

IMG-379128

91



Locate the markings for the positions.

Mark the centre.

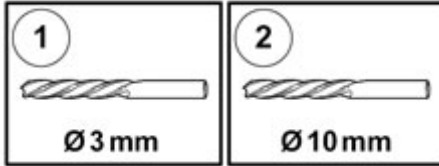
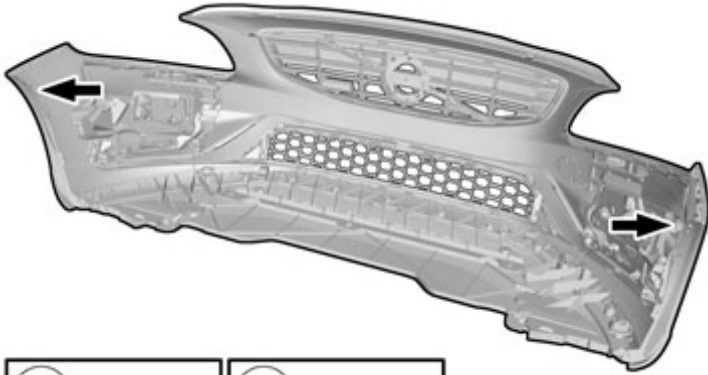
IMG-380581



Installation instructions, accessories

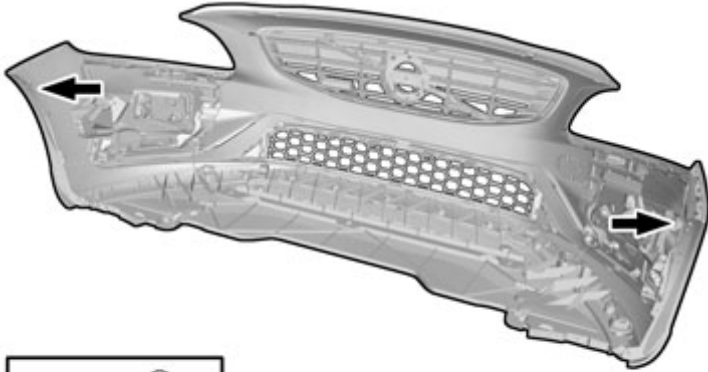
Volvo Car Corporation Gothenburg, Sweden

92



IMG-380605

93

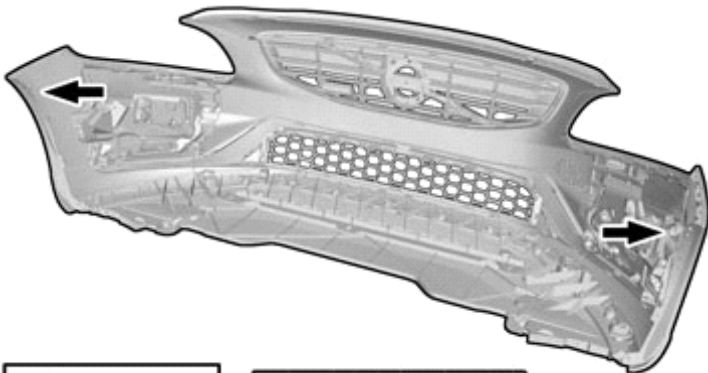


Use special tool: T9997234, Hole stamp

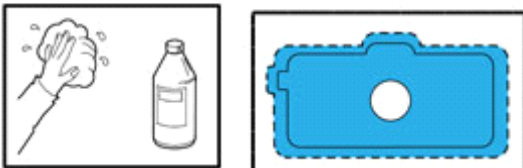


IMG-380606

94



Use: 1161721, Isopropanol



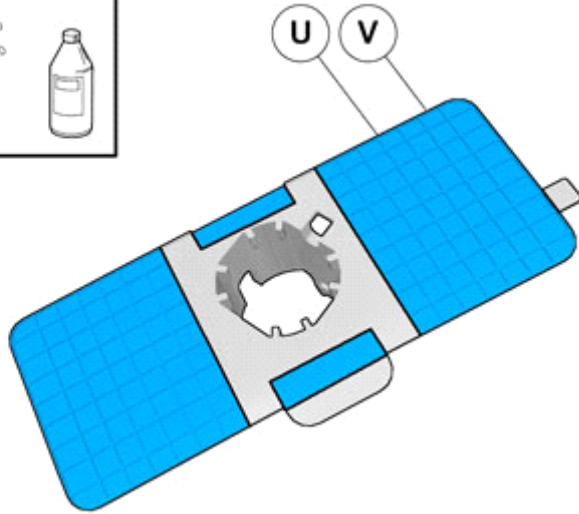
IMG-380607



Installation instructions, accessories

Volvo Car Corporation Gothenburg, Sweden

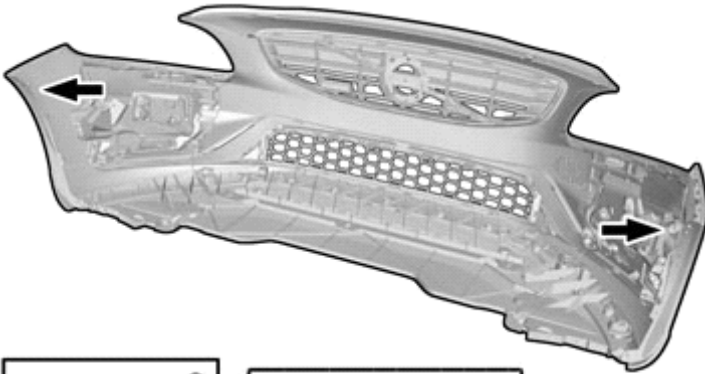
95



Use: 1161721, Isopropanol

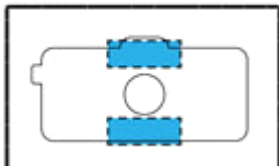
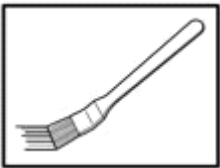
IMG-380230

96



Use: 1161765, Primer

Allow to dry for at least 2 minutes, but no more than 60minutes.



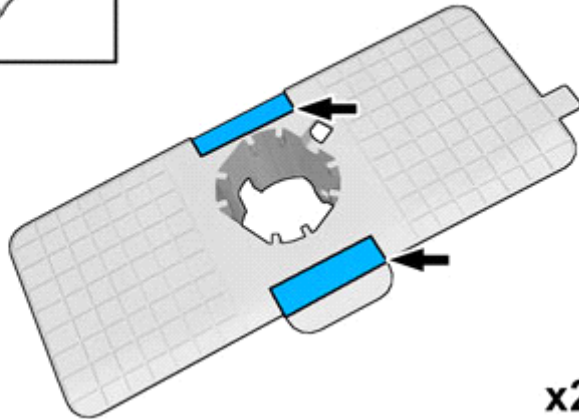
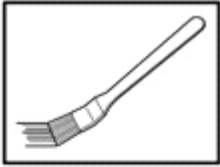
IMG-380609



Installation instructions, accessories

Volvo Car Corporation Gothenburg, Sweden

97

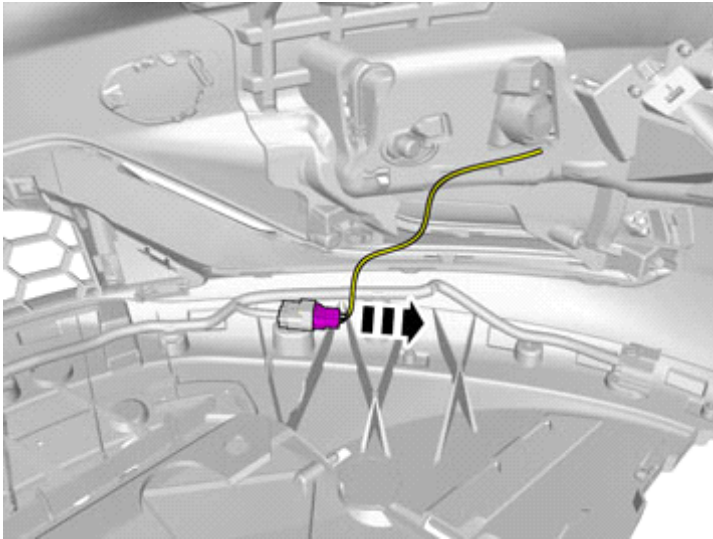


IMG-380231

Use: 1161765, Primer

Allow to dry for at least 2 minutes, but no more than 60minutes.

98

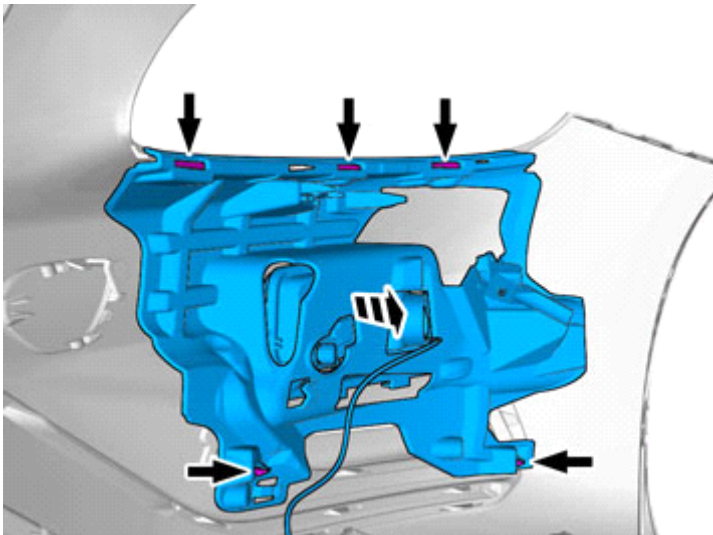


IMG-379104

Disconnect the connector.

Repeat on the other side.

99



IMG-379105

Release the catches.

Remove the panel.

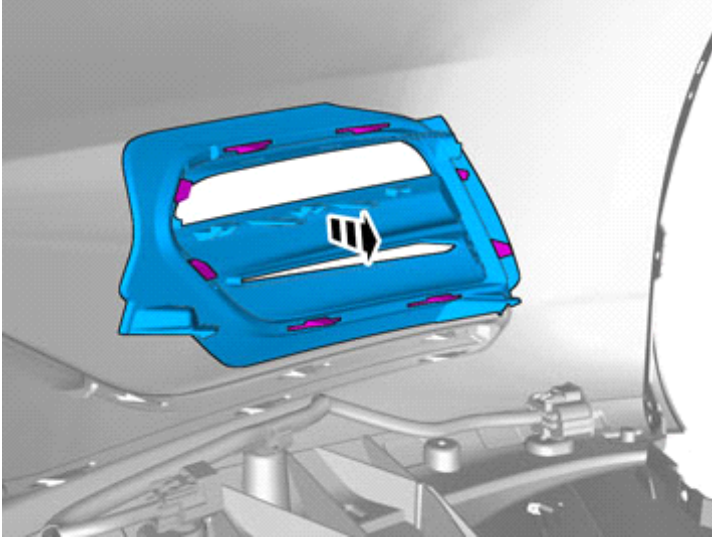
Repeat on the other side.



Installation instructions, accessories

Volvo Car Corporation Gothenburg, Sweden

100



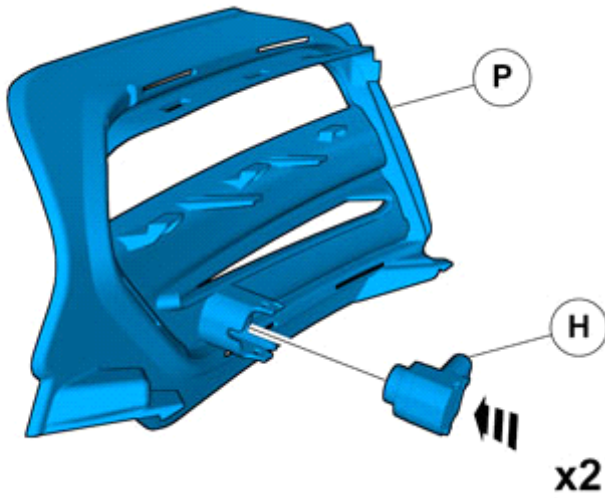
IMG-379107

The part is not to be reused.

Repeat on the other side.

Accessory installation

101



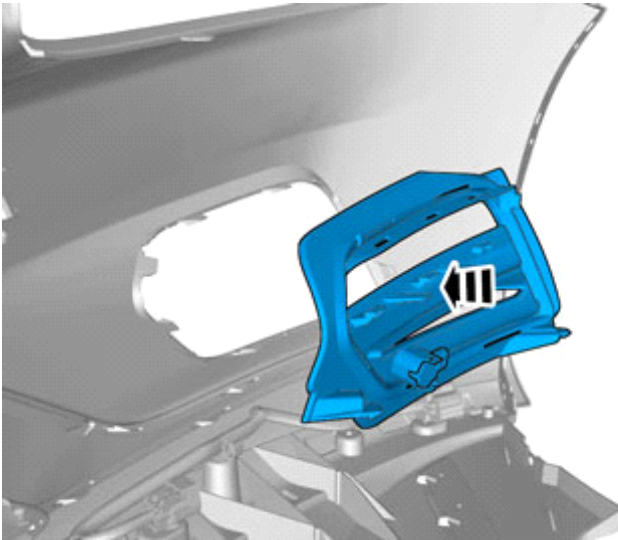
IMG-379113



Installation instructions, accessories

Volvo Car Corporation Gothenburg, Sweden

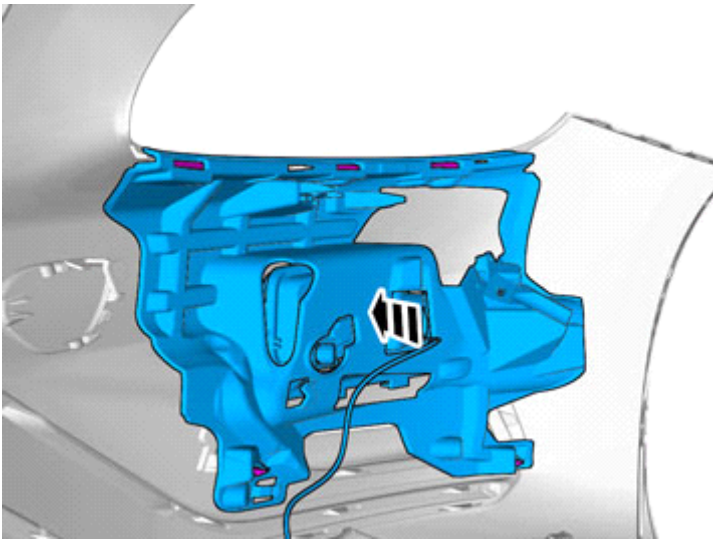
102



IMG-379109

Repeat on the other side.

103

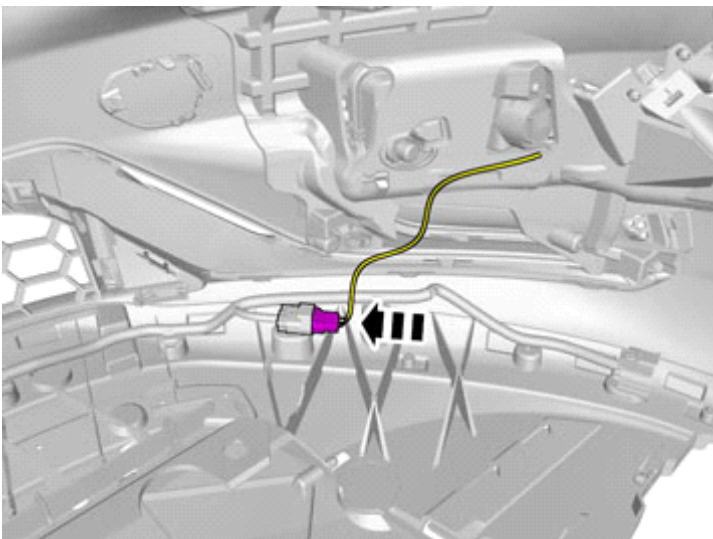


IMG-379117

Reinstall the removed part.

Repeat on the other side.

104



IMG-379116

Connect the connector.

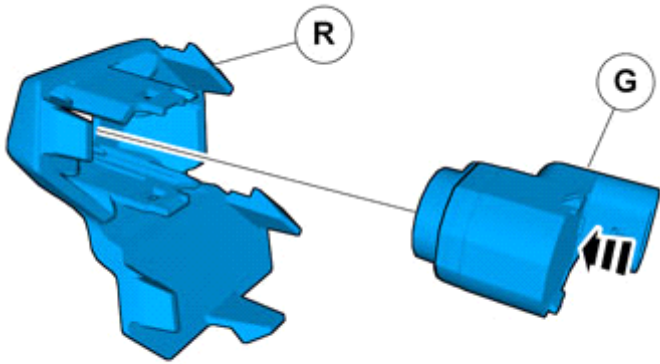
Repeat on the other side.



Installation instructions, accessories

Volvo Car Corporation Gothenburg, Sweden

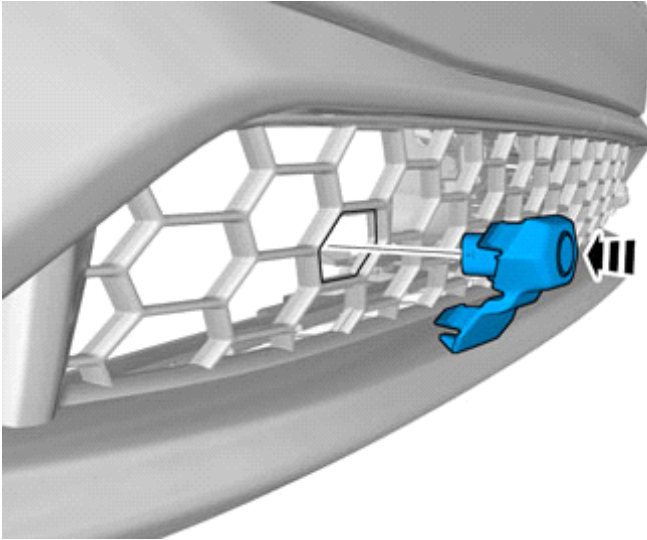
105



x2

IMG-379115

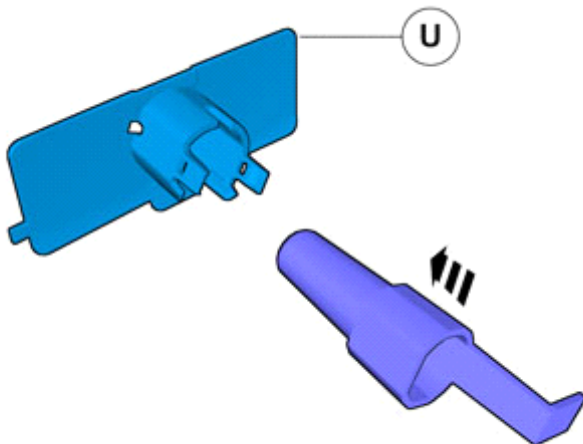
106



IMG-379114

Repeat on the other side.

107



Note!

Prepare and install one holder at a time.

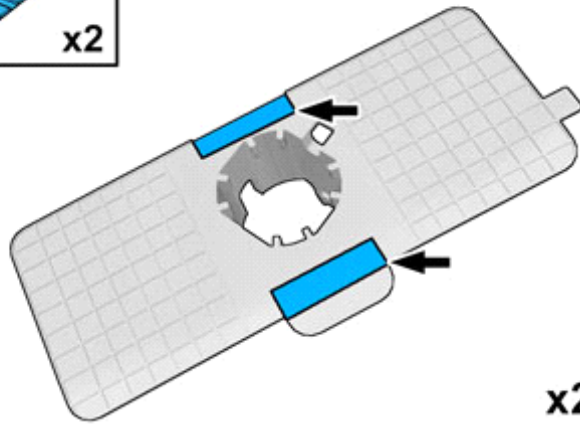
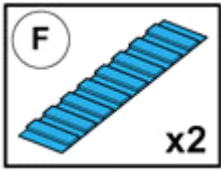
IMG-380257



Installation instructions, accessories

Volvo Car Corporation Gothenburg, Sweden

108

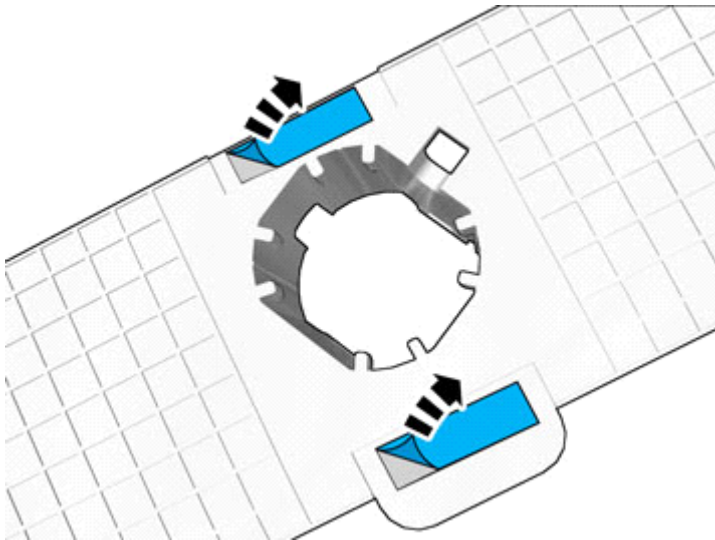


IMG-380259

Note!

Ensure that the tape is fixed to the surface.

109



IMG-380264

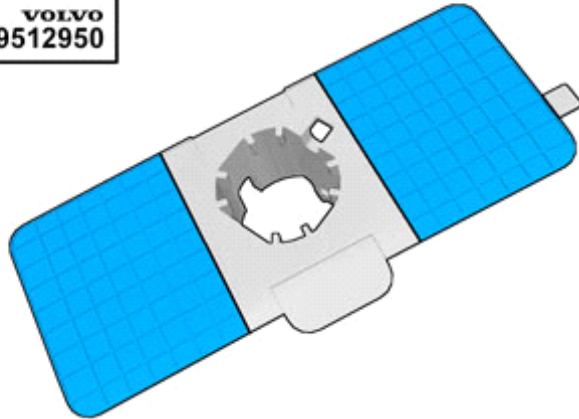
Remove the protective film.



Installation instructions, accessories

Volvo Car Corporation Gothenburg, Sweden

110



IMG-380262

Warning!

Wear protective gloves.

Warning!

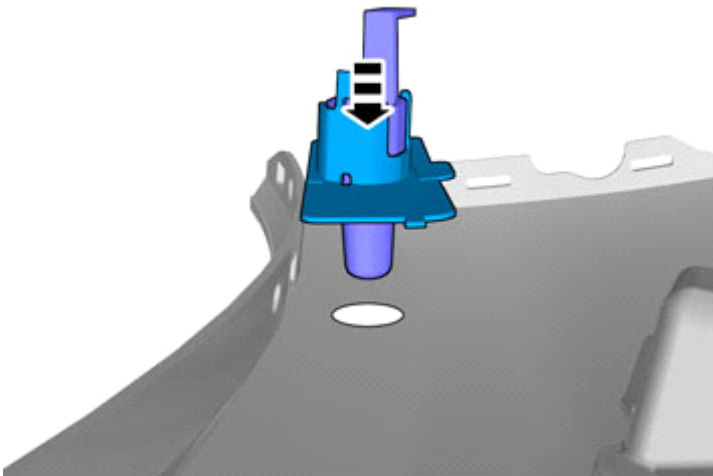
Make sure to provide adequate ventilation.

Use special tool: T9512950, Glue gun (kit)

Use: 1161730, Mixing pipe

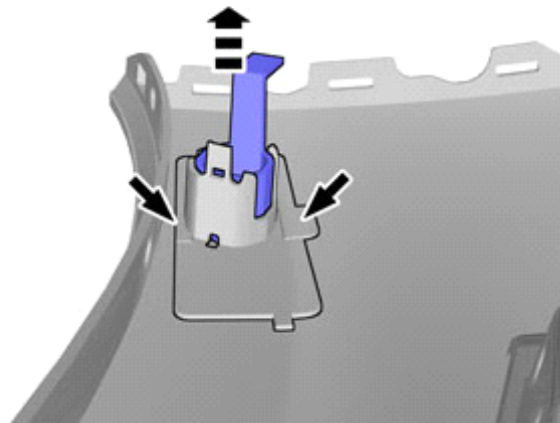
Use: 9511027, Glue

111



IMG-380261

112



IMG-380275

Note!

Hold the part securely at the marker arrows when removing the tool.

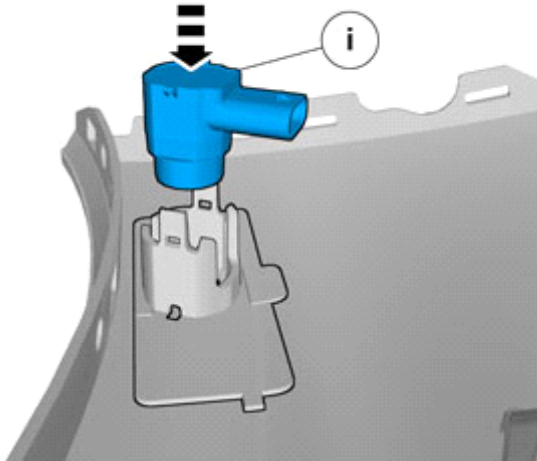


Installation instructions, accessories

Volvo Car Corporation Gothenburg, Sweden

113

Repeat on the other side.

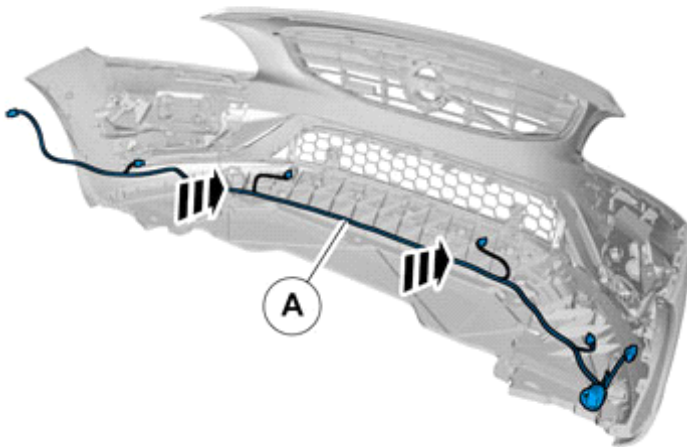


IMG-380279

114

Put the wiring in the Bumper cover without installing the wiring.

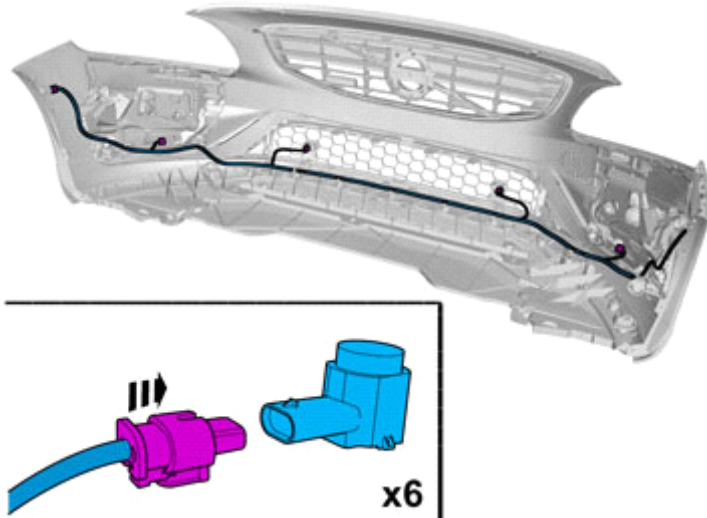
RHD: The cable harness is positioned mirrored.



IMG-379118

115

Connect the connectors.



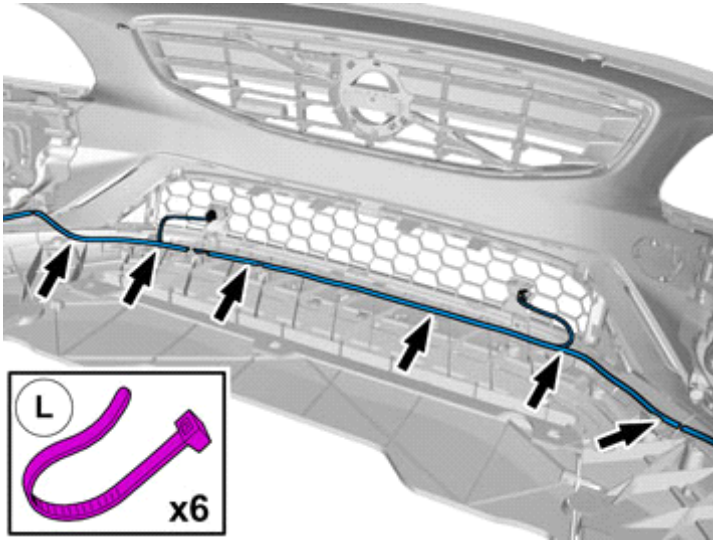
IMG-380612



Installation instructions, accessories

Volvo Car Corporation Gothenburg, Sweden

116



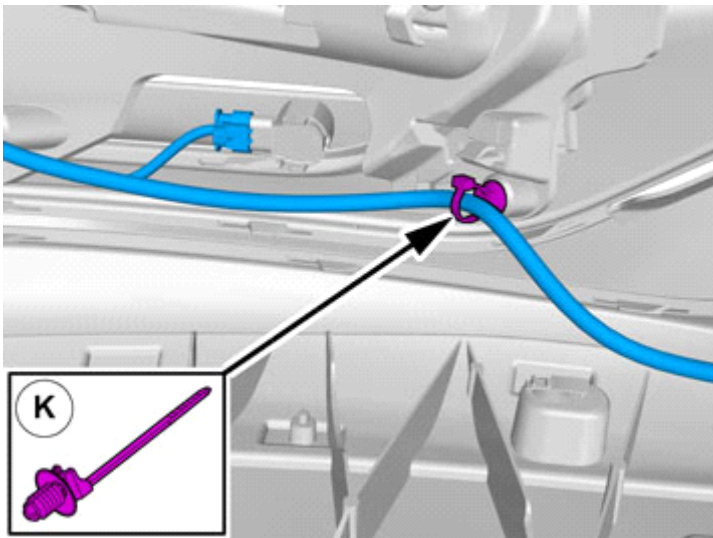
IMG-379123

Position/route the cable harness as illustrated.

Adjust the position of the wiring harness.

Tighten the cable ties.

117



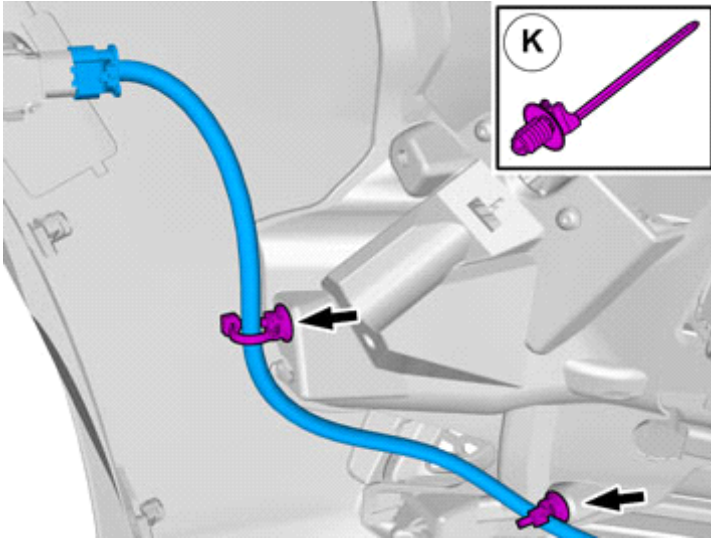
IMG-379121



Installation instructions, accessories

Volvo Car Corporation Gothenburg, Sweden

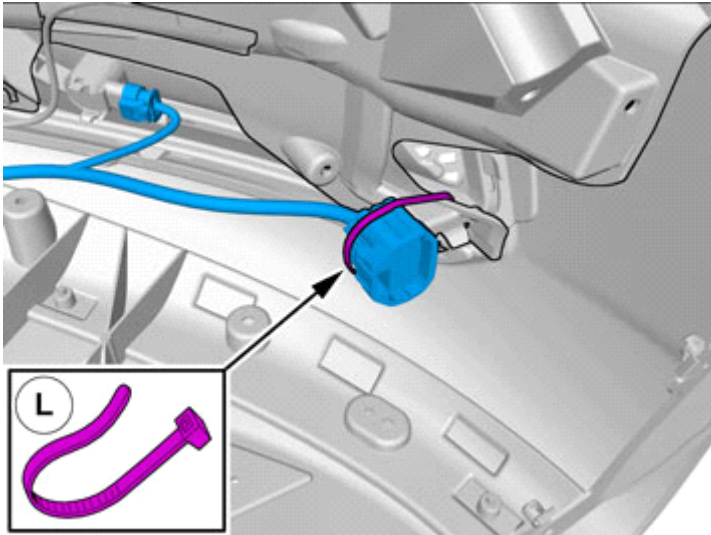
118



IMG-380614

Repeat on the other side.

119



IMG-379122

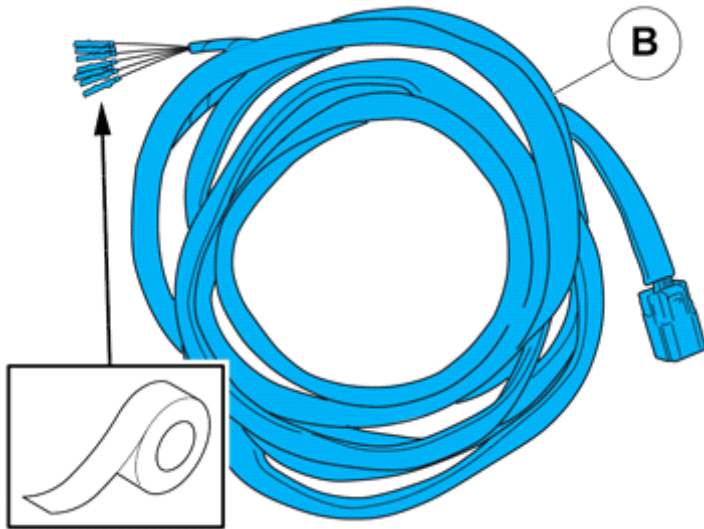
Left hand drive vehicles



Installation instructions, accessories

Volvo Car Corporation Gothenburg, Sweden

120

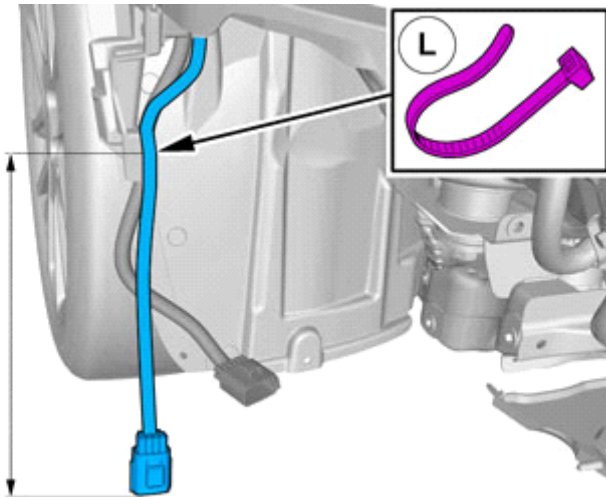


IMG-373258

Use: , Electrical tape

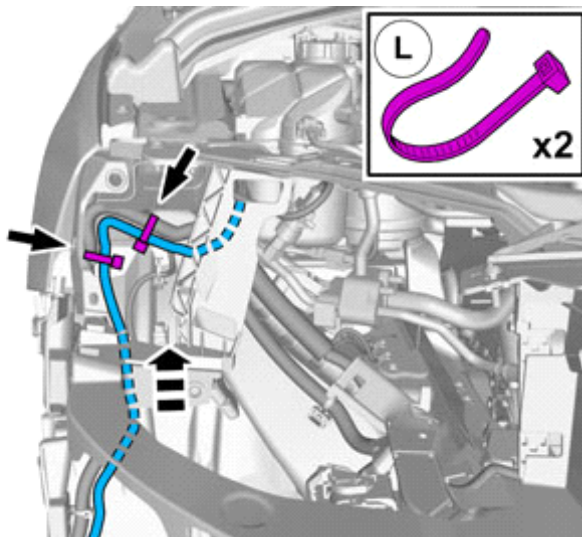
121

mm



IMG-382238

122



IMG-382240

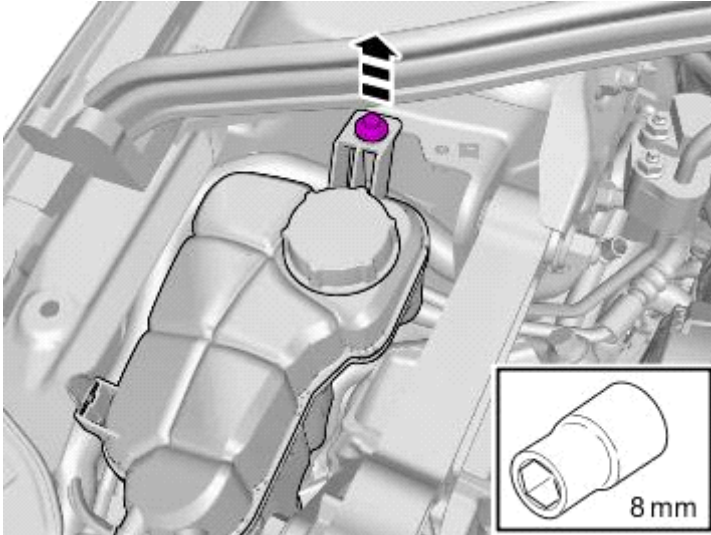
Route the cable harness to the existing cable harness.



Installation instructions, accessories

Volvo Car Corporation Gothenburg, Sweden

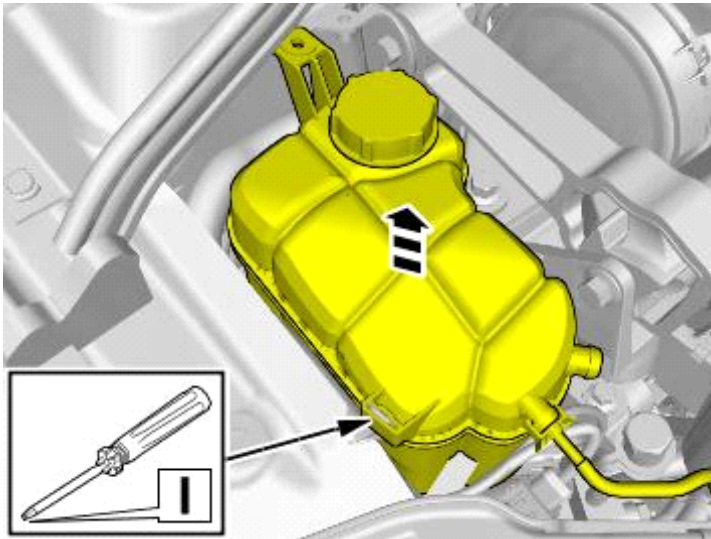
123



IMG-385294

Remove the screw.

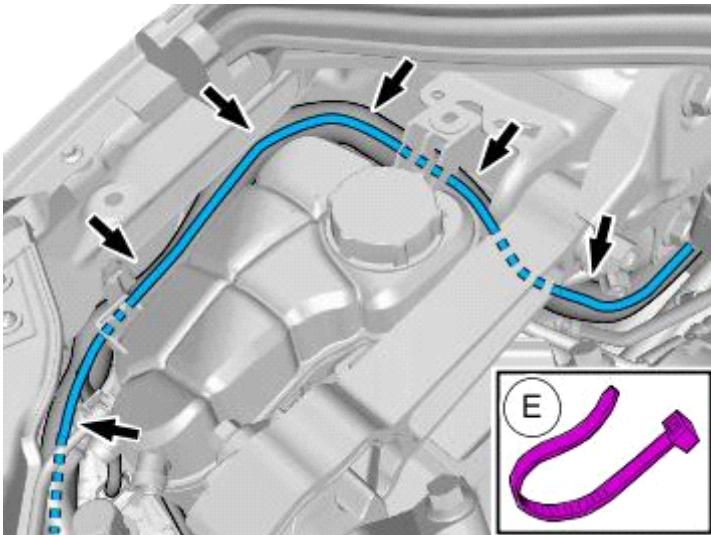
124



IMG-385291

Remove the marked part.

125



IMG-385299

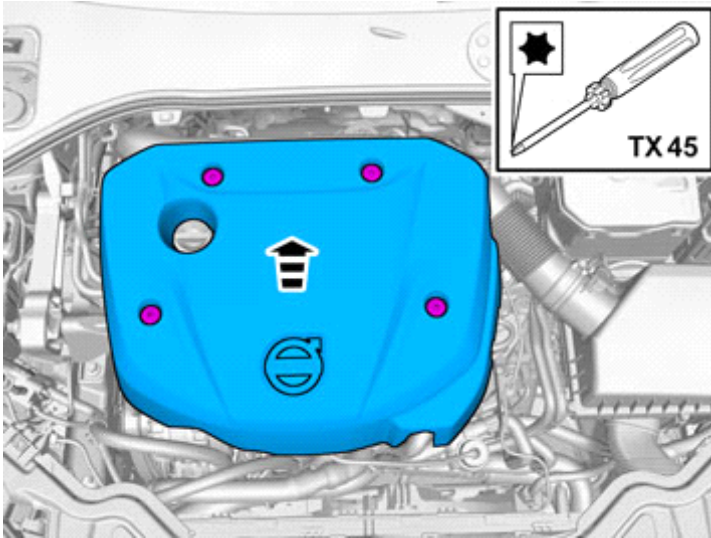
Route the cable harness to the existing cable harness.



Installation instructions, accessories

Volvo Car Corporation Gothenburg, Sweden

126

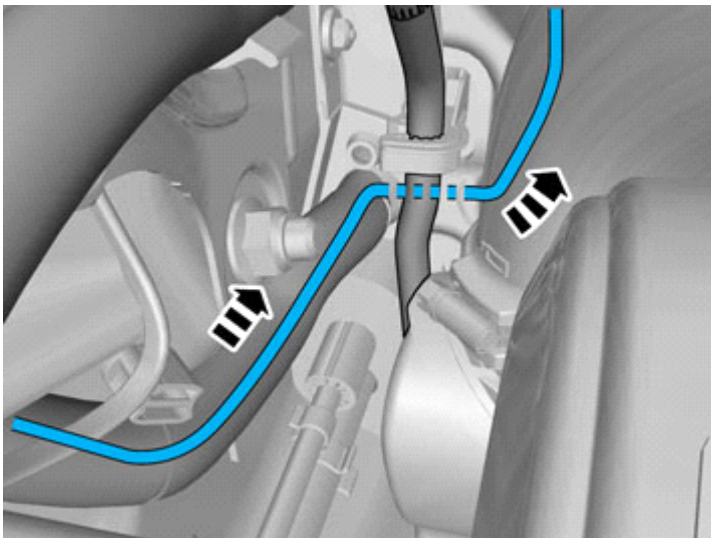


IMG-382242

Remove the screws.

Remove the marked part.

127



IMG-382377

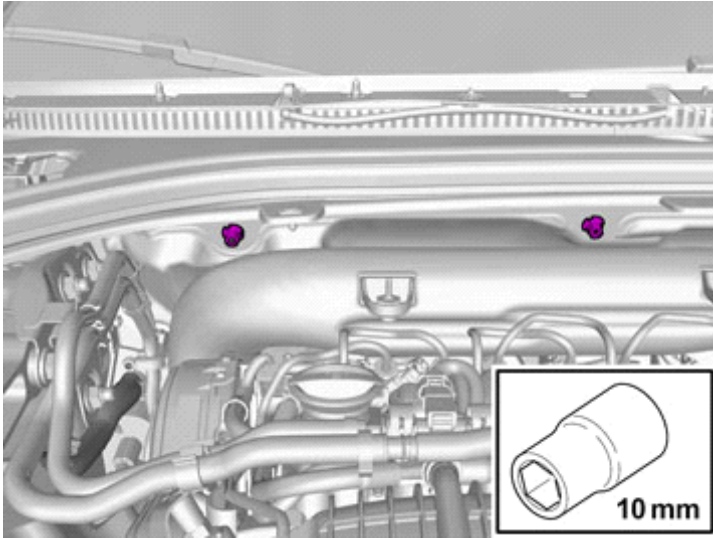
Route the cable harness to the existing cable harness.



Installation instructions, accessories

Volvo Car Corporation Gothenburg, Sweden

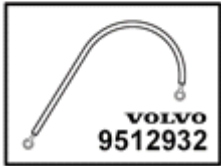
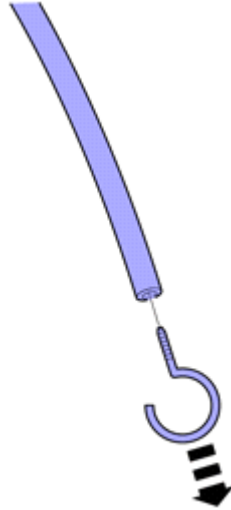
128



IMG-382375

Remove the nuts.

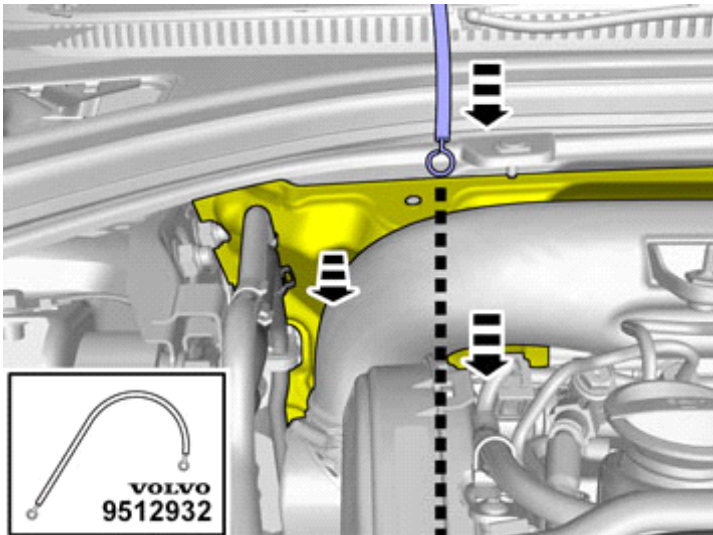
129



IMG-382372

Use special tool: T9512932, Tension spring

130



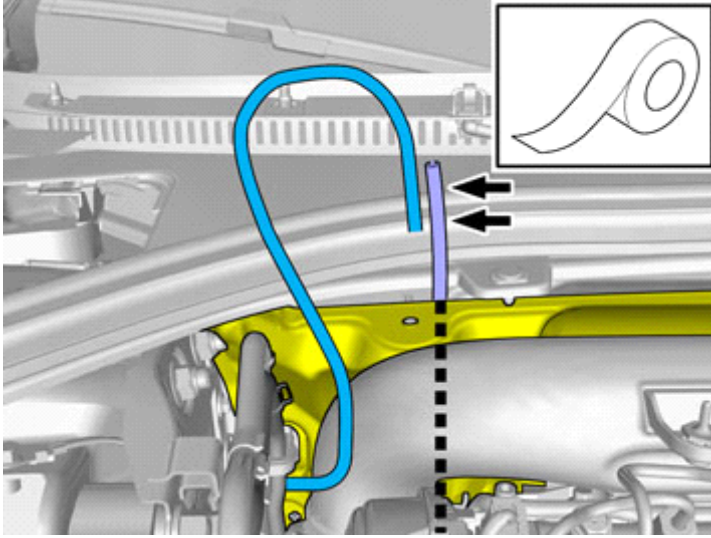
IMG-382378



Installation instructions, accessories

Volvo Car Corporation Gothenburg, Sweden

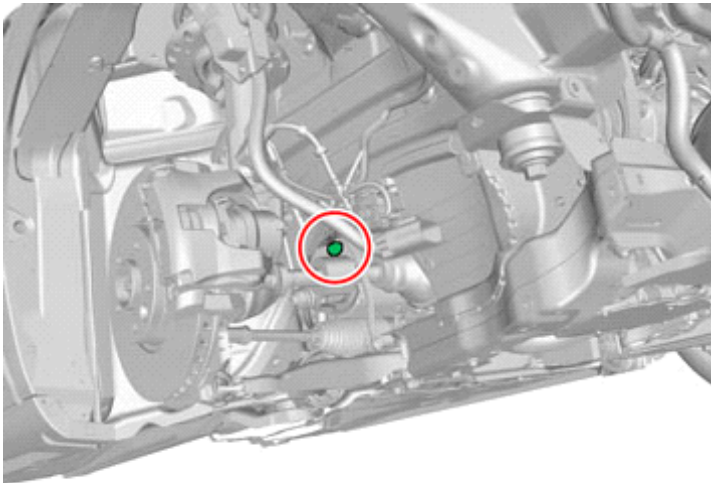
131



IMG-382381

Use: , Electrical tape

132

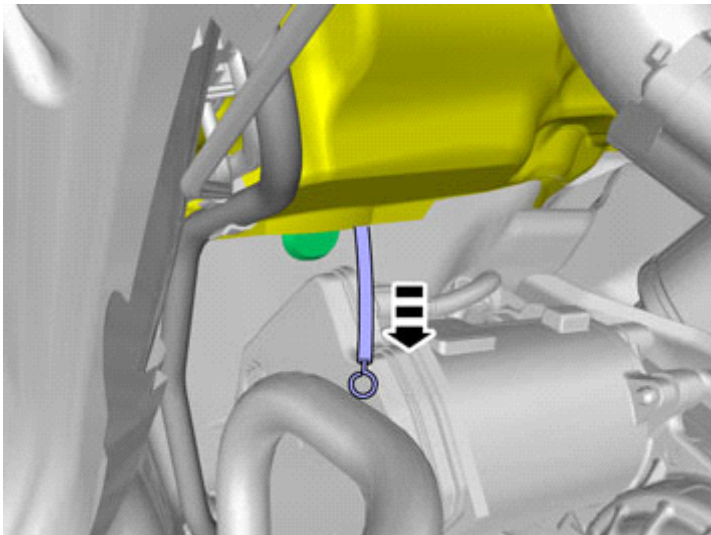


IMG-382388

Note!
Orientation view

Note!
On some markets the rubber grommet may be covered by the heat shield.

133



IMG-382389

Pull the wiring through.

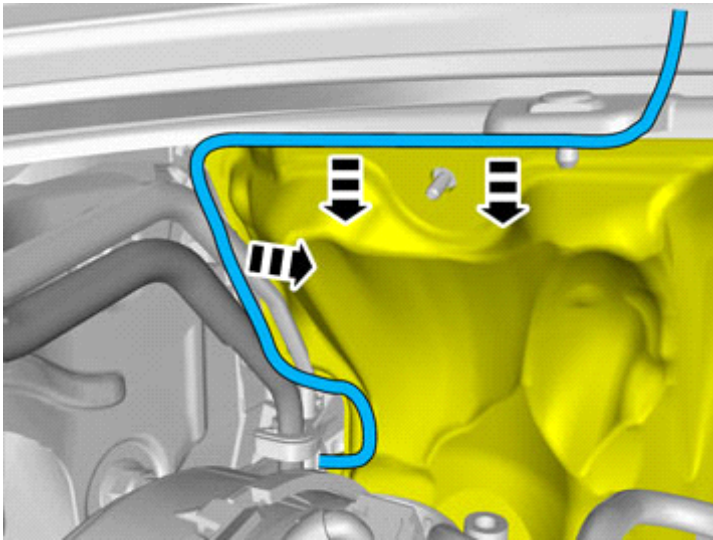
Remove the Special Tool.



Installation instructions, accessories

Volvo Car Corporation Gothenburg, Sweden

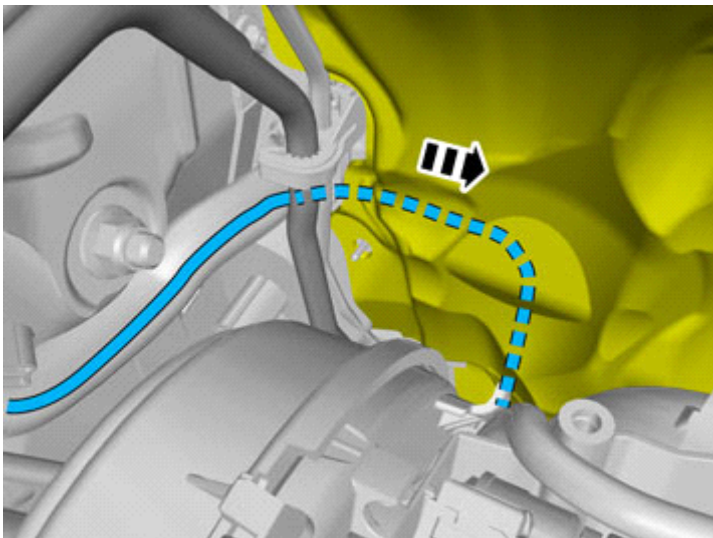
134



IMG-382392

Position/route the cable harness as illustrated.

135



IMG-382393

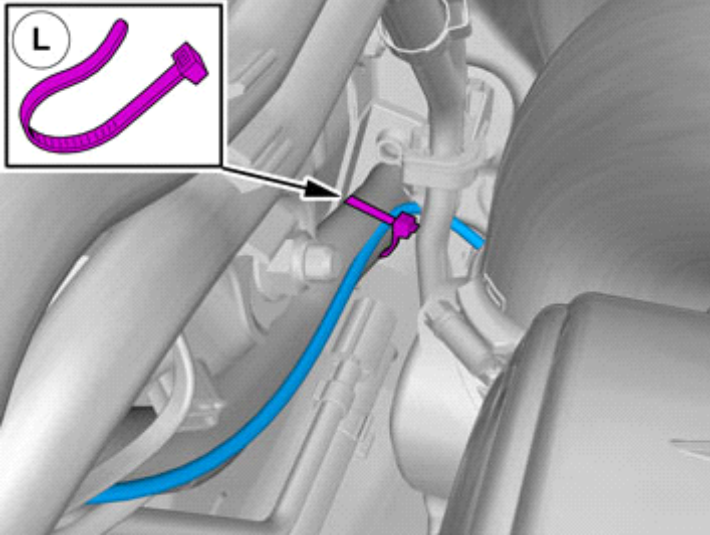
Position/route the cable harness as illustrated.



Installation instructions, accessories

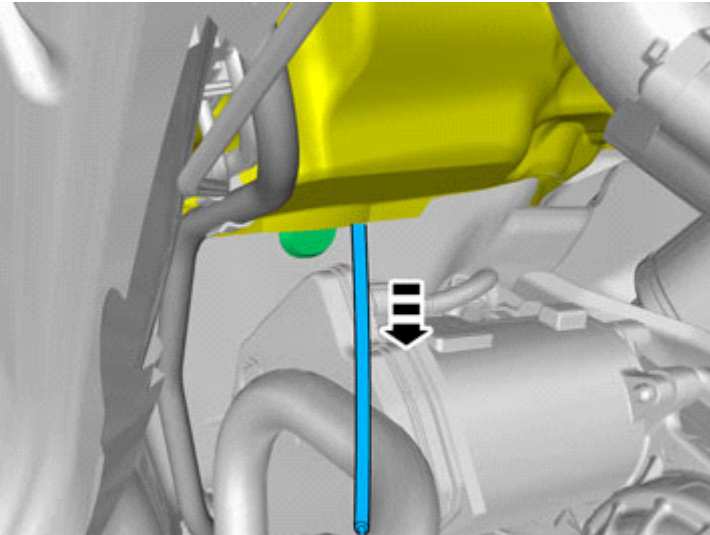
Volvo Car Corporation Gothenburg, Sweden

136



IMG-382395

137



IMG-382399

Pull the wiring through.

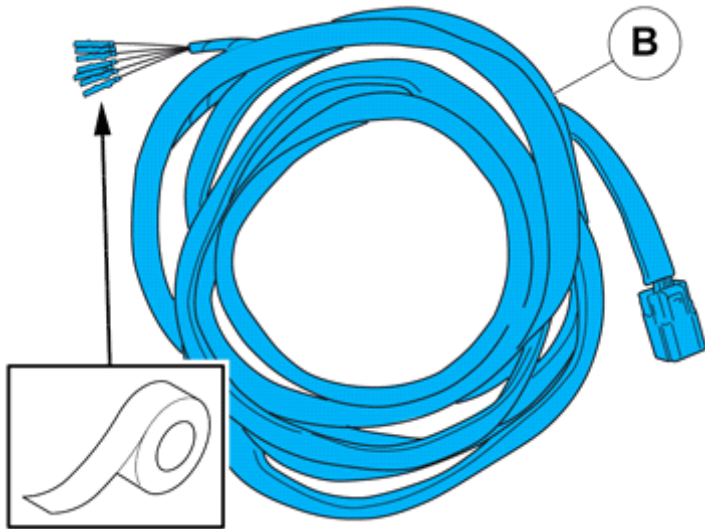
Right-hand drive vehicles



Installation instructions, accessories

Volvo Car Corporation Gothenburg, Sweden

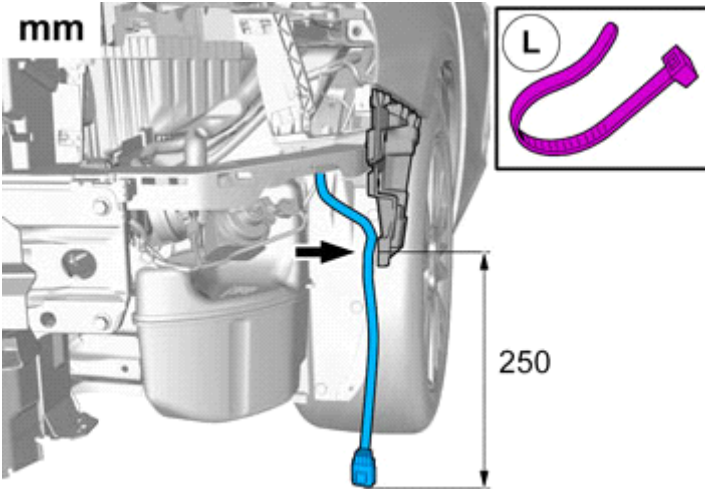
138



Use: , Electrical tape

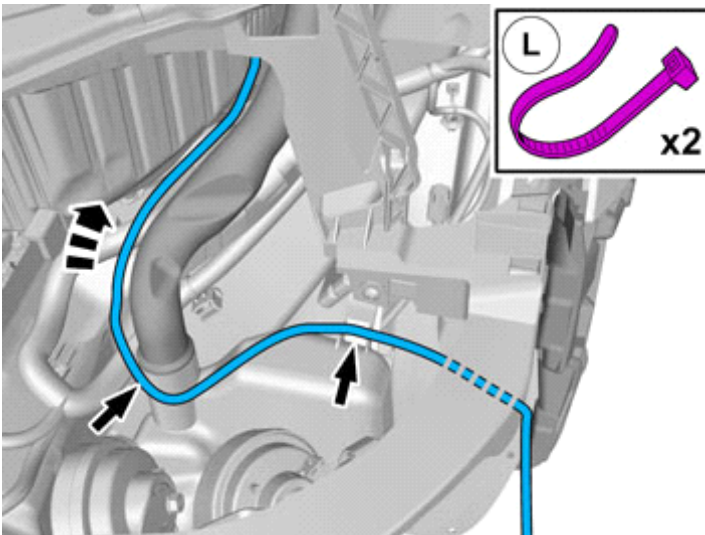
IMG-373258

139



IMG-382245

140



Position/route the cable harness as illustrated.

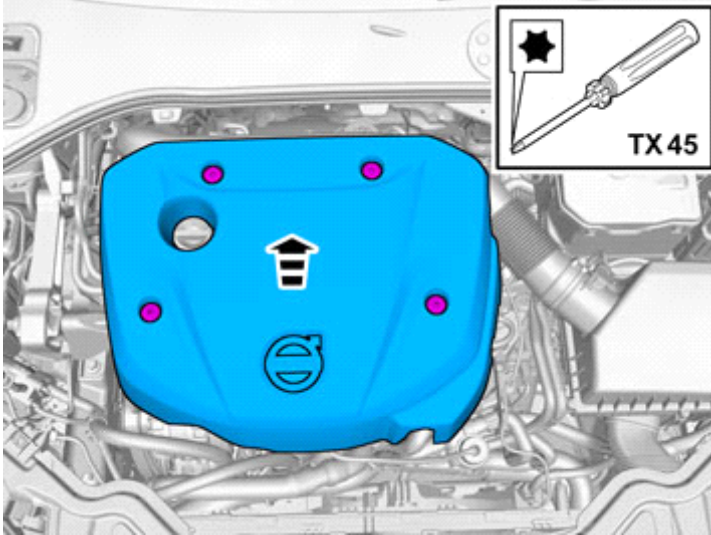
IMG-382246



Installation instructions, accessories

Volvo Car Corporation Gothenburg, Sweden

141

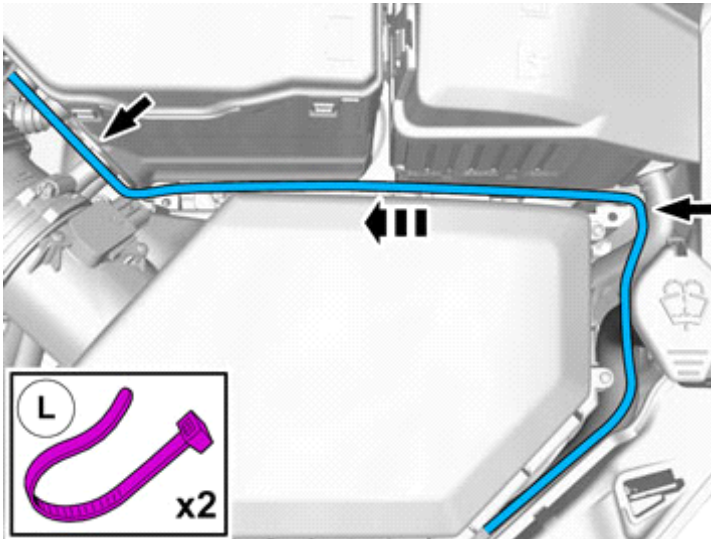


IMG-382242

Remove the screws.

Remove the marked part.

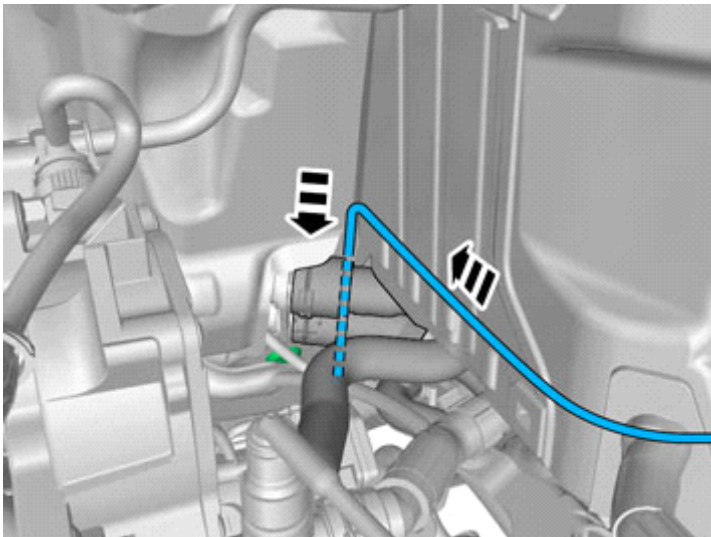
142



IMG-382247

Position/route the cable harness as illustrated.

143



IMG-382258

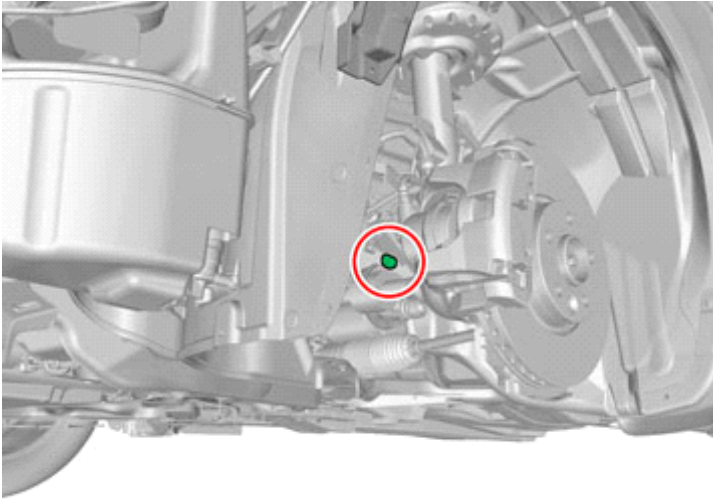
Position/route the cable harness as illustrated.



Installation instructions, accessories

Volvo Car Corporation Gothenburg, Sweden

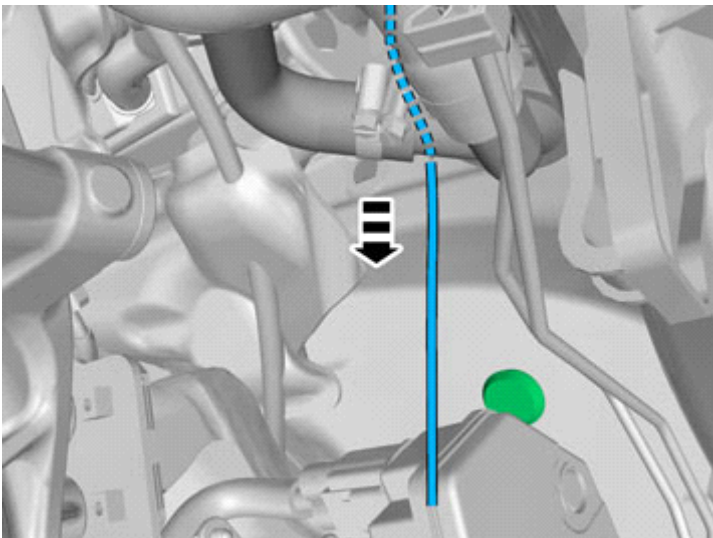
144



IMG-382262

Note!
Orientation view

145



IMG-382261

Pull the wiring through.

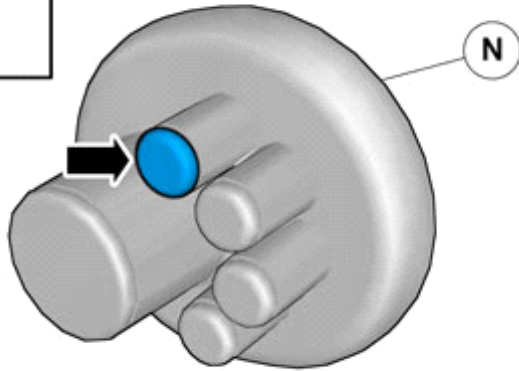
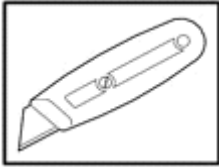
All vehicles



Installation instructions, accessories

Volvo Car Corporation Gothenburg, Sweden

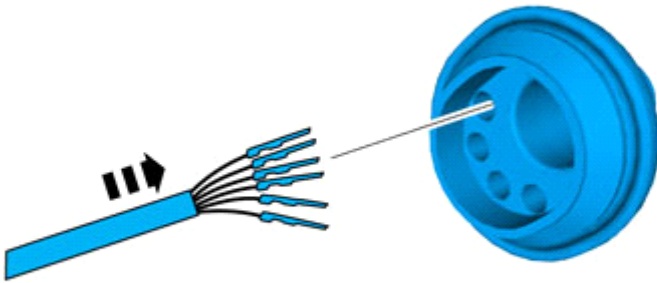
146



IMG-372722

147

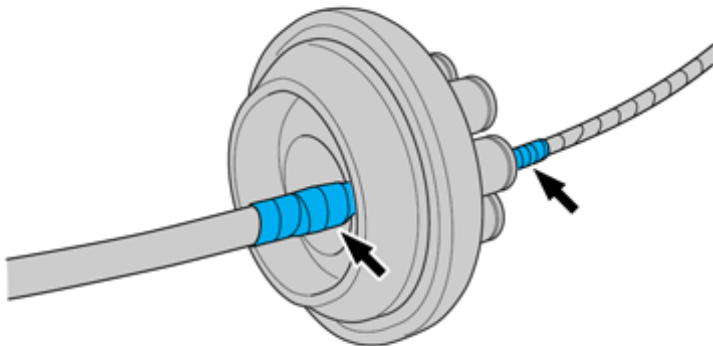
Pull the wiring through.



IMG-382174

148

Place the component where indicated in the graphic.



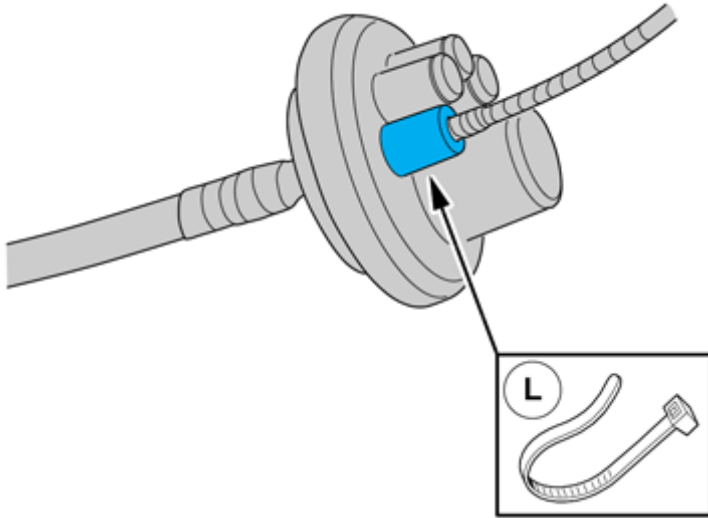
IMG-382176



Installation instructions, accessories

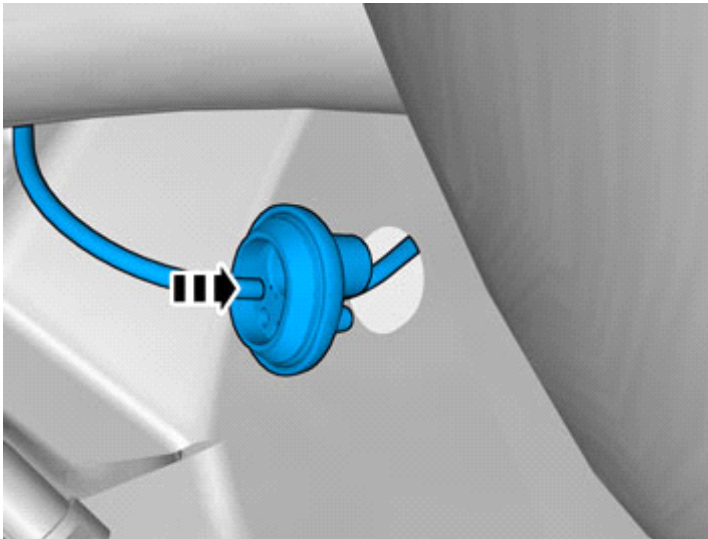
Volvo Car Corporation Gothenburg, Sweden

149



IMG-382175

150

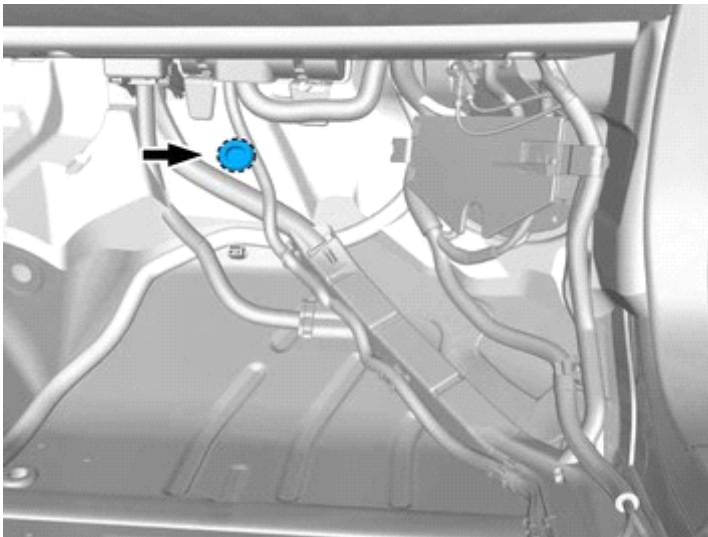


IMG-382183

Note!
Push the rubber grommet well through the hole.

Pull the wiring through.

151



IMG-396281

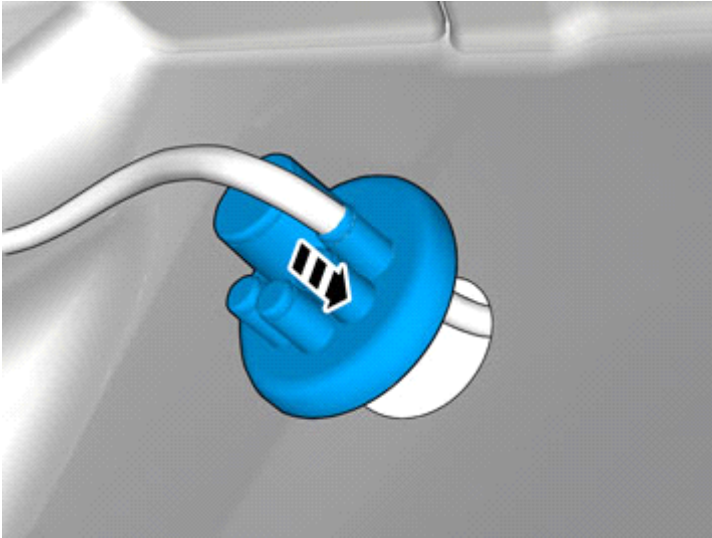
Note!
Orientation view



Installation instructions, accessories

Volvo Car Corporation Gothenburg, Sweden

152

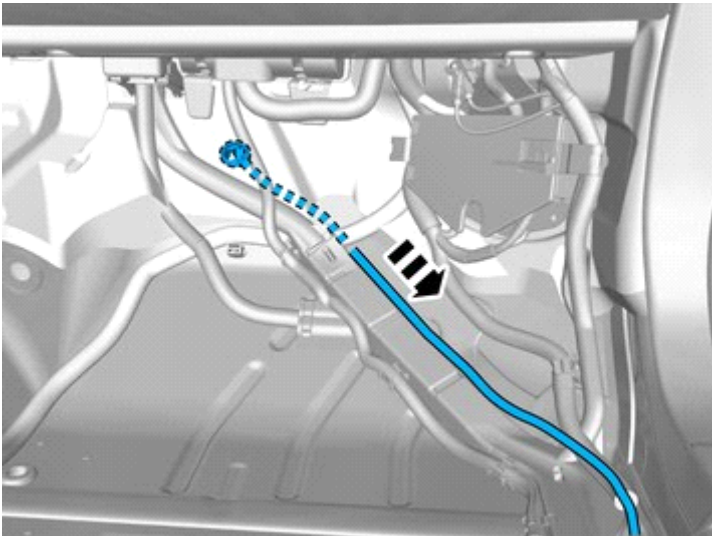


IMG-382178

Caution!

Make sure that the rubber grommet seals properly to the body.

153



IMG-396275

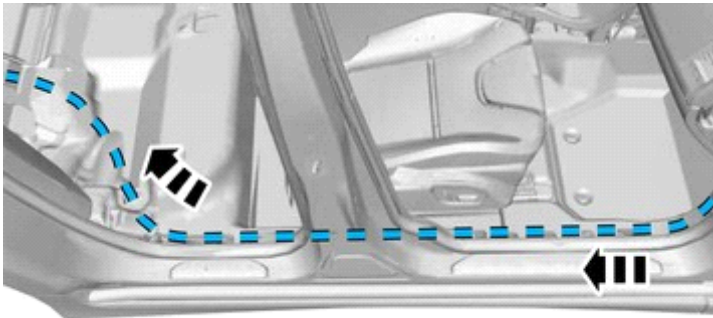
Position/route the cable harness as illustrated.



Installation instructions, accessories

Volvo Car Corporation Gothenburg, Sweden

154

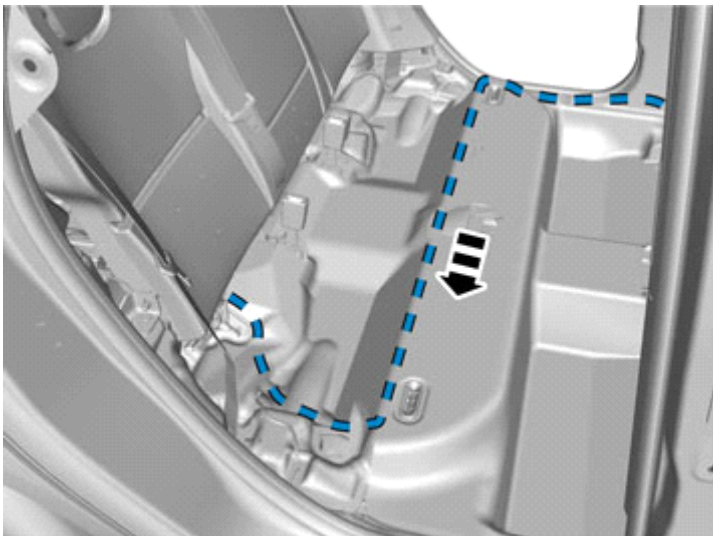


Position/route the cable harness as illustrated.

IMG-396277

Right-hand drive vehicles

155



Position/route the cable harness as illustrated.

IMG-308083

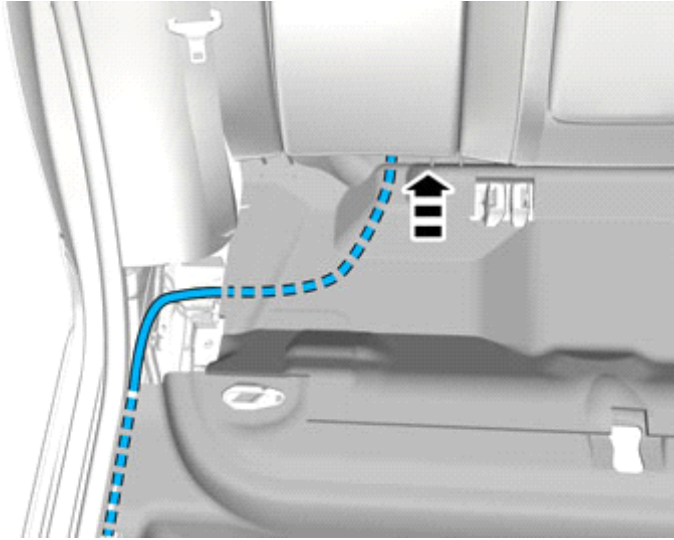
All vehicles



Installation instructions, accessories

Volvo Car Corporation Gothenburg, Sweden

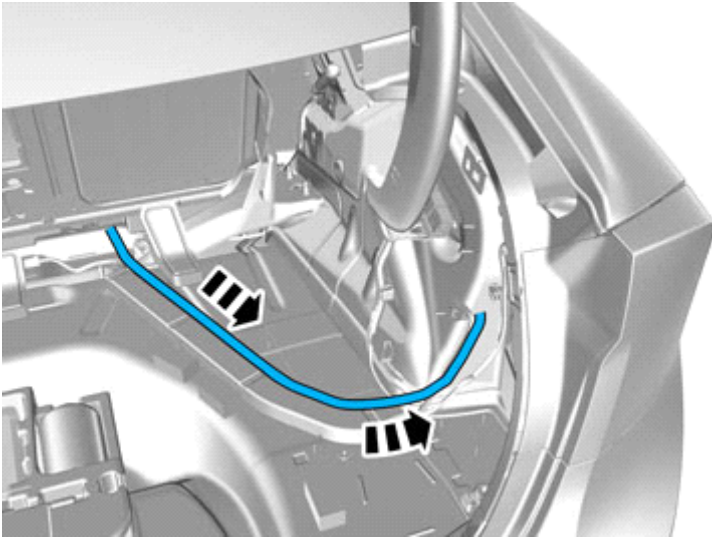
156



IMG-378628

Position/route the cable harness as illustrated.

157



IMG-341976

Position/route the cable harness as illustrated.

Left hand drive vehicles

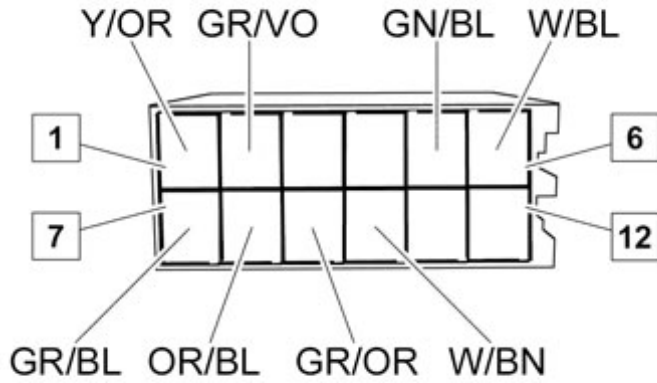


Installation instructions, accessories

Volvo Car Corporation Gothenburg, Sweden

158

Connect the cable harness terminals in the connector as follows.

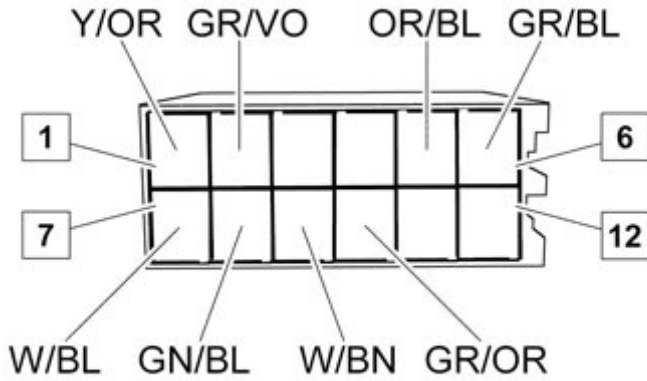


IMG-361341

Right-hand drive vehicles

159

Connect the cable harness terminals in the connector as follows.



IMG-361342

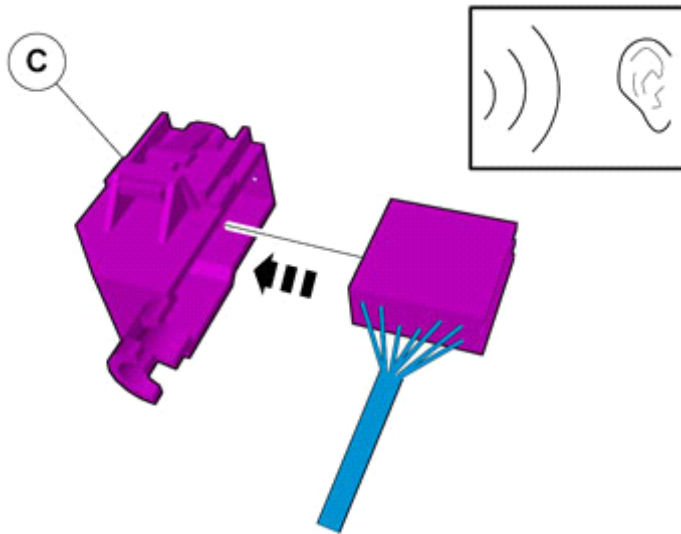
All vehicles



Installation instructions, accessories

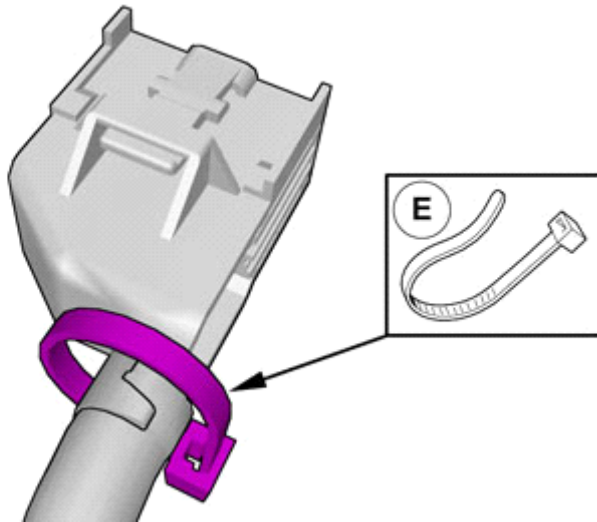
Volvo Car Corporation Gothenburg, Sweden

160



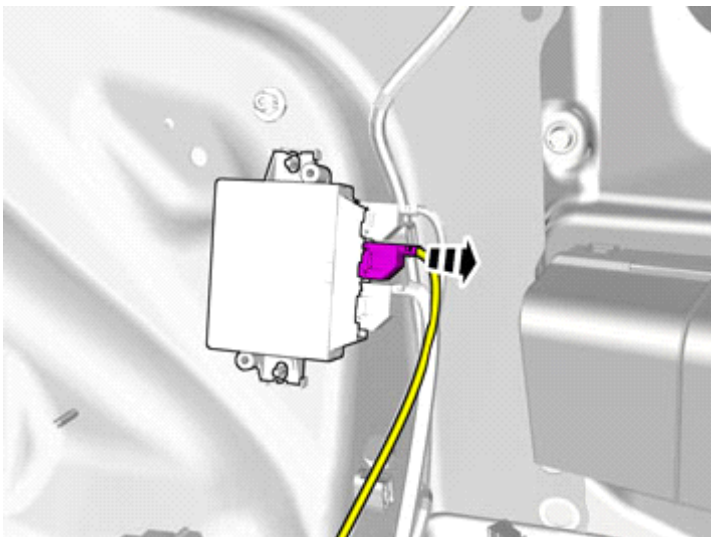
IMG-361376

161



IMG-361377

162



IMG-378621

Disconnect the connector, if applicable.

Attach the connector to the wiring harness.

Use: , Electrical tape

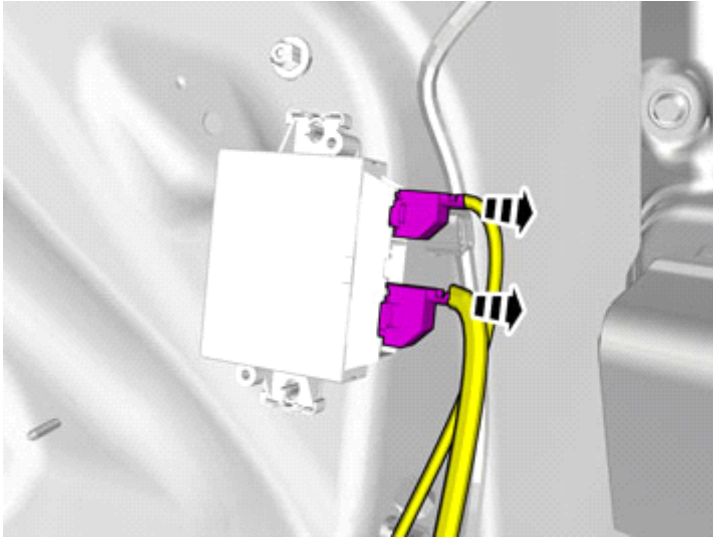
The connector is not to be used.



Installation instructions, accessories

Volvo Car Corporation Gothenburg, Sweden

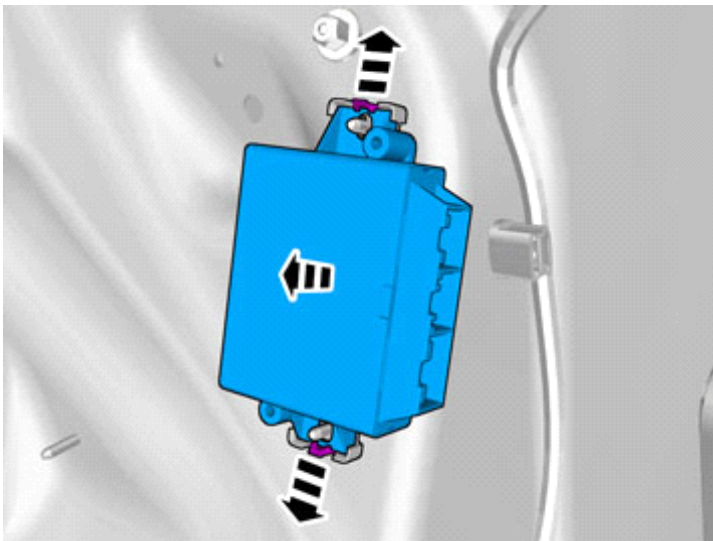
163



IMG-378620

Disconnect the connectors.

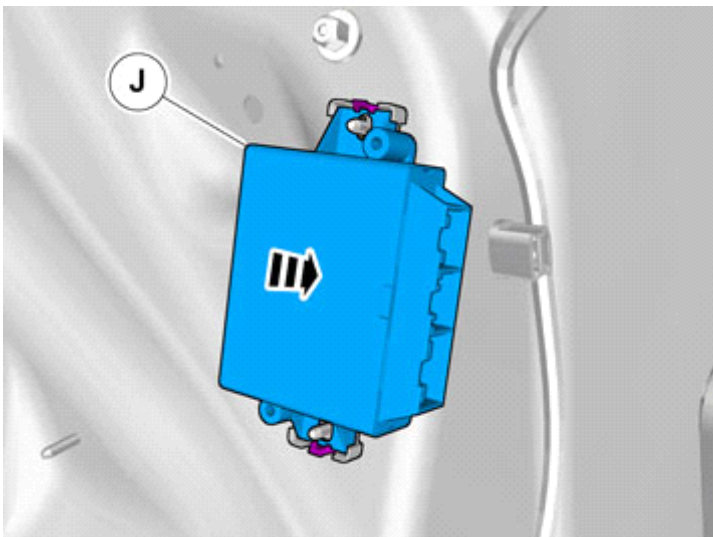
164



IMG-378617

The part is not to be reused.

165



IMG-378616

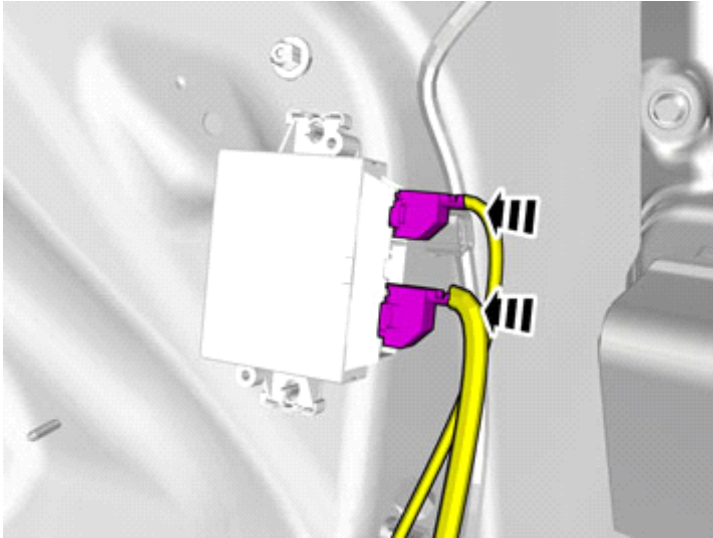
Install component that comes with the accessory kit.



Installation instructions, accessories

Volvo Car Corporation Gothenburg, Sweden

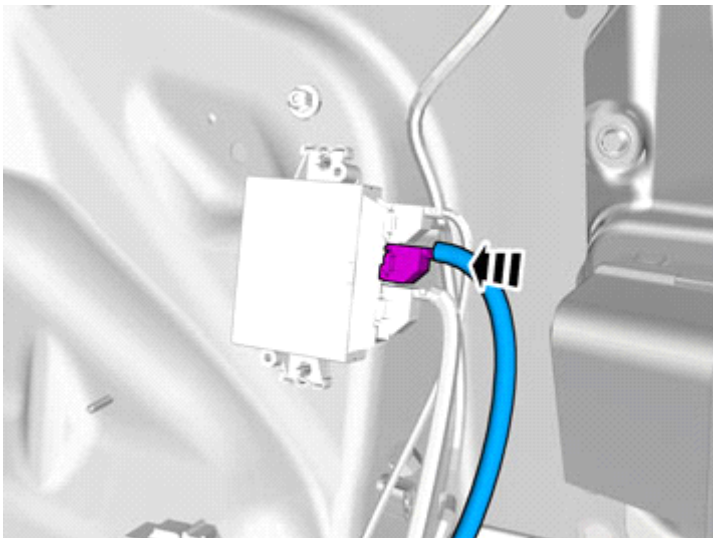
166



IMG-378619

Connect the connectors.

167



IMG-378618

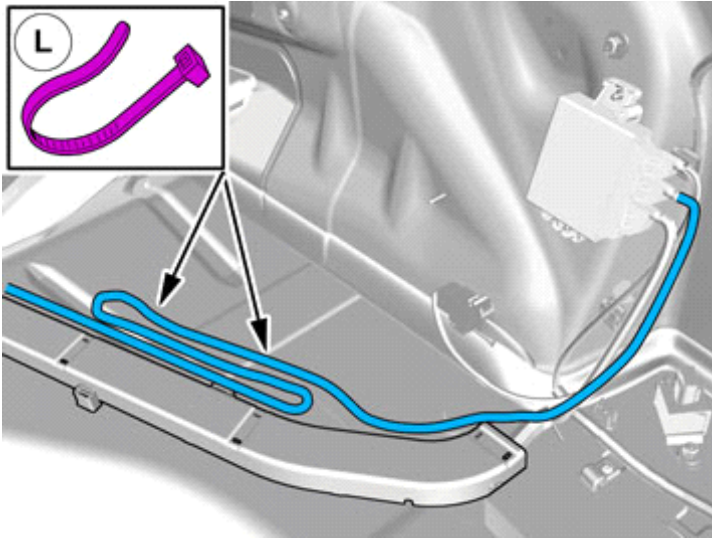
Connect the prerouted cable.



Installation instructions, accessories

Volvo Car Corporation Gothenburg, Sweden

168

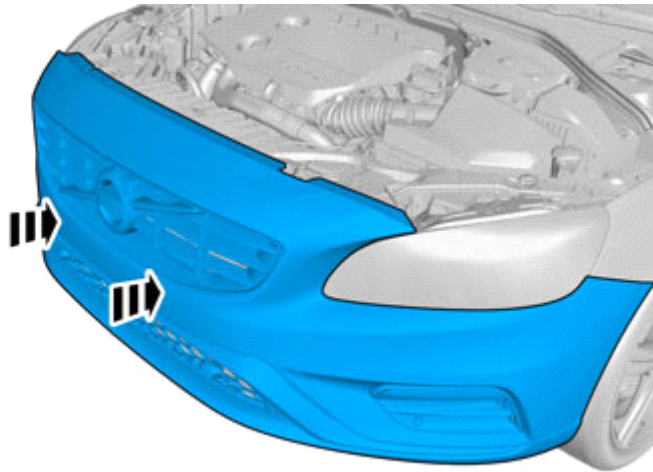


IMG-378630

Note!

Extra cable length must be secured using cable ties.

169



IMG-379130

Place the Bumper Cover in position for installation.

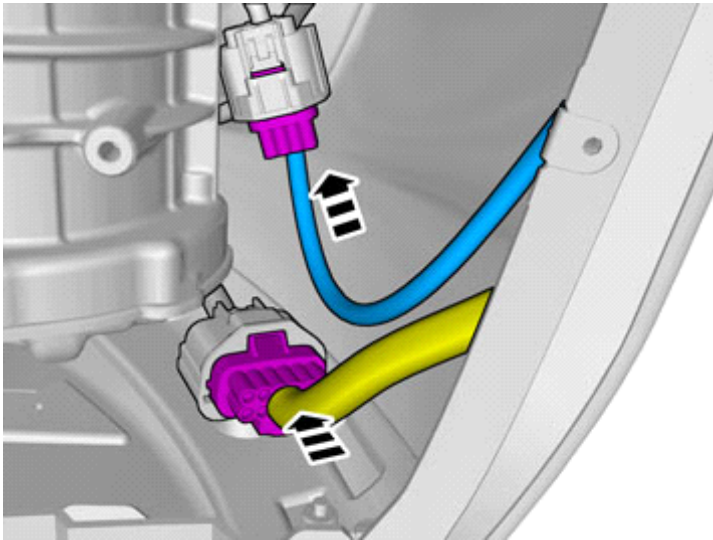
Left hand drive vehicles



Installation instructions, accessories

Volvo Car Corporation Gothenburg, Sweden

170

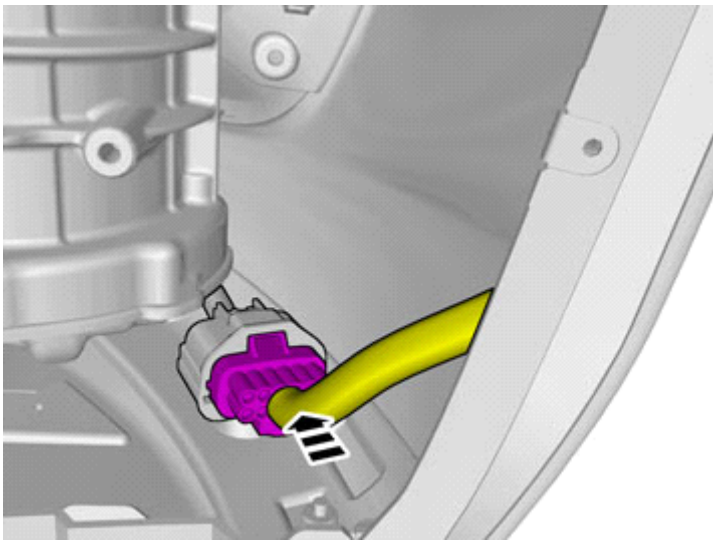


IMG-378276

Connect the connectors.

Right-hand drive vehicles

171



IMG-378280

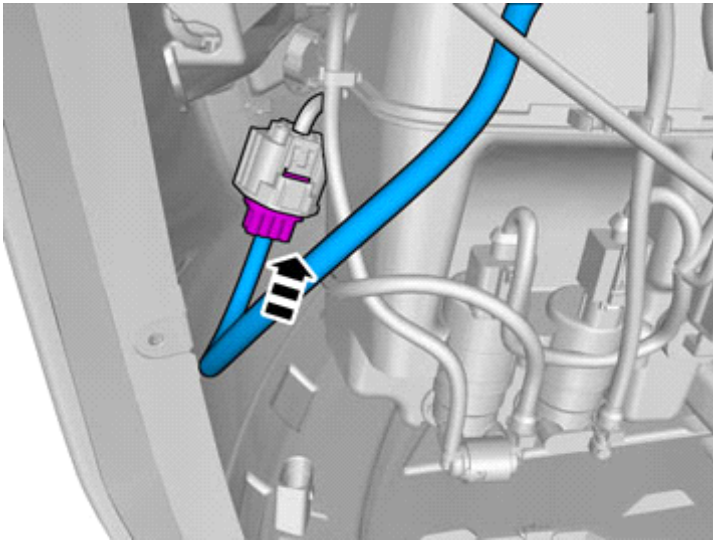
Connect the connector.



Installation instructions, accessories

Volvo Car Corporation Gothenburg, Sweden

172

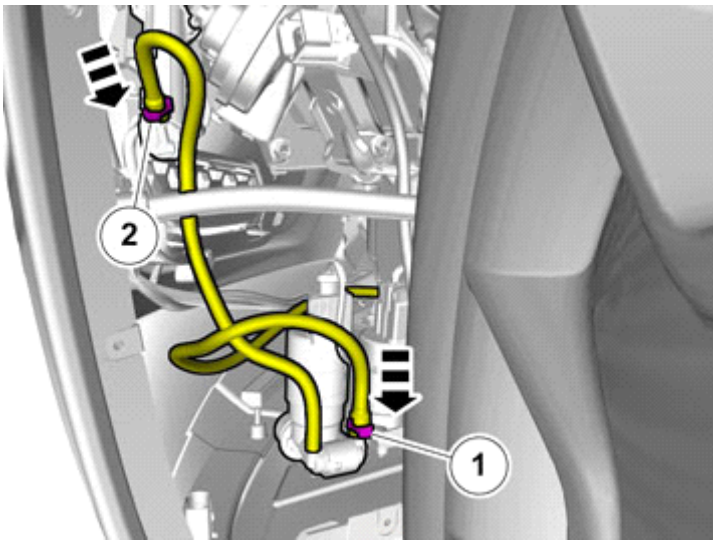


IMG-378611

Connect the connector.

Vehicles with headlamp washers

173



IMG-350323

Reinstall the removed parts in reverse order.

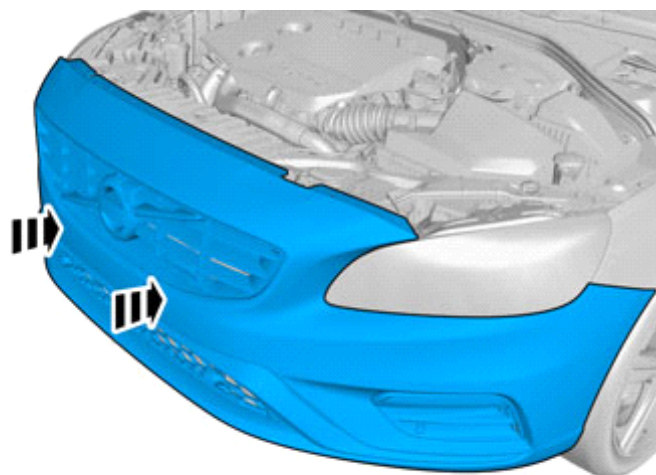
All vehicles



Installation instructions, accessories

Volvo Car Corporation Gothenburg, Sweden

174



Reinstall the bumper.

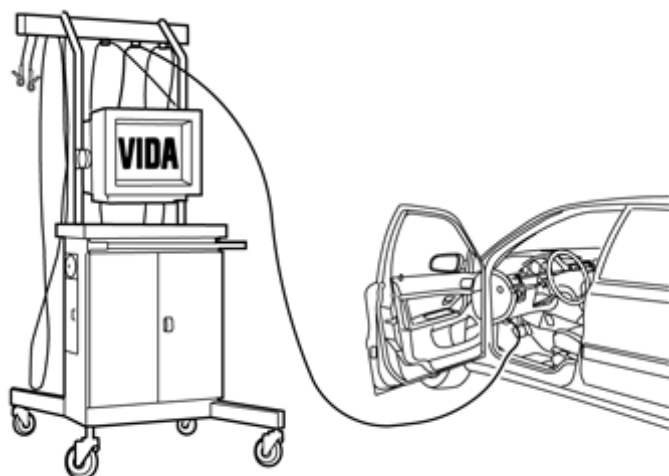
IMG-379130

175

Reinstall the removed parts in reverse order.

IMG-377070

176



Download software (application) for the accessory's function according to the service information in VIDA.

IMG-242268



Installation instructions, accessories

Volvo Car Corporation Gothenburg, Sweden
